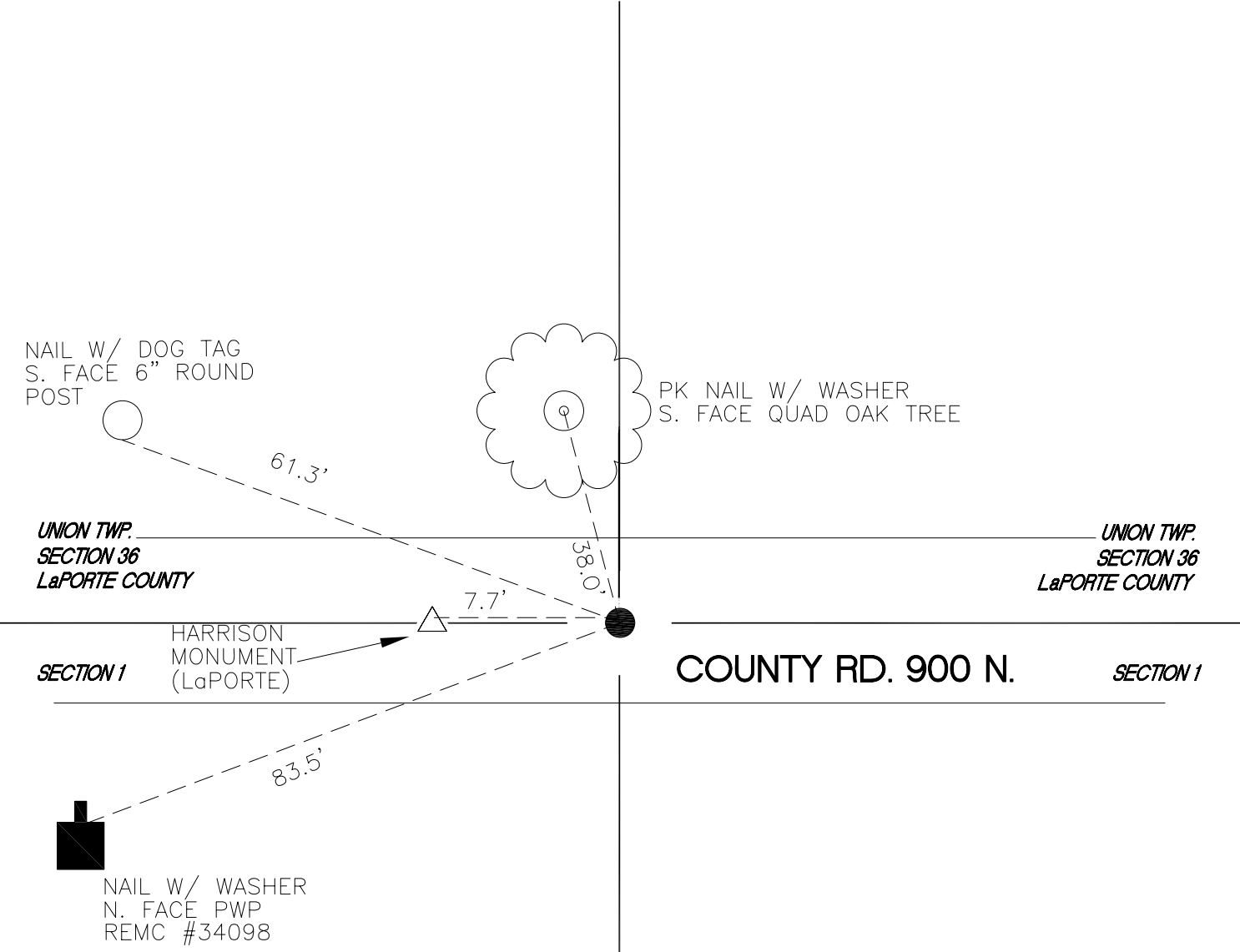


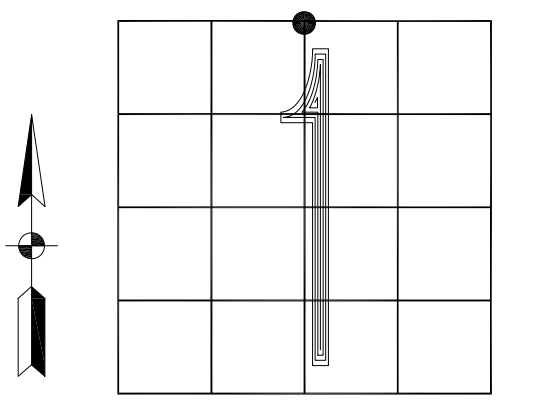
DAVIS TOWNSHIP

T 34 N, R 2 W



MONUMENT: (F) 1/2" IRON ROD
 CORNER OF: RECORD USE
 PARTY: DPS/AJR
 DATE: JULY 2017
 COMMENTS: 4.3' S. CL CR. 900 N.

INDEX NUMBER
A23



CORNER LOCATION IN THE SECTION