

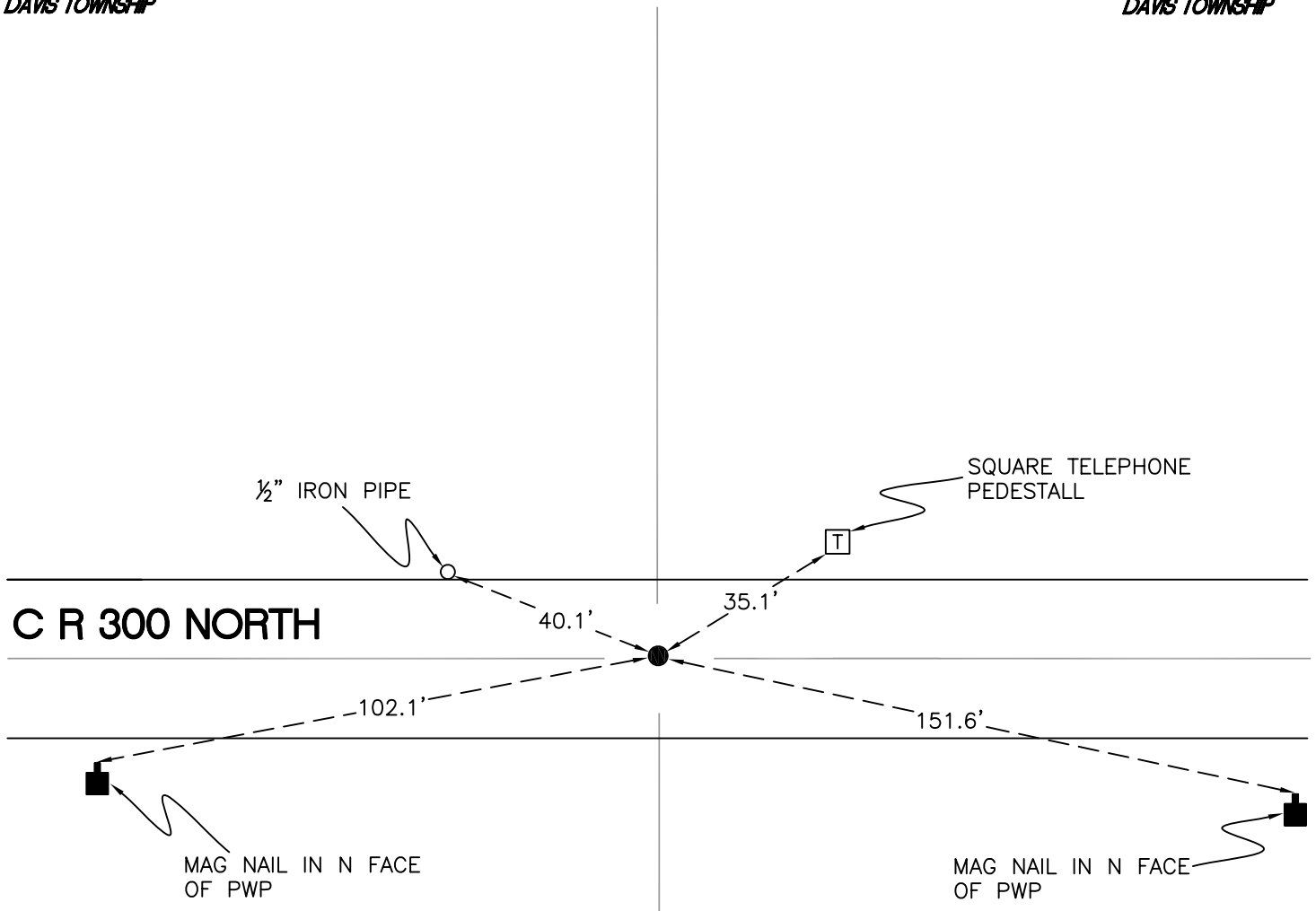
CENTER TOWNSHIP

T 33 N, R 2 W

A23

SECTION 36
DAVIS TOWNSHIP

SECTION 36
DAVIS TOWNSHIP



SECTION 1
CENTER TOWNSHIP

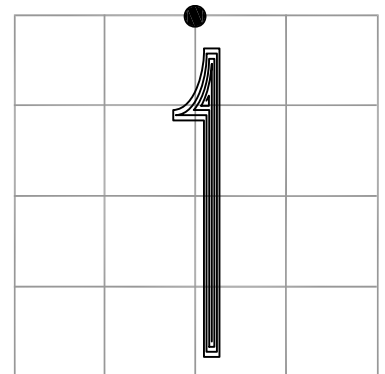
SECTION 1
CENTER TOWNSHIP

MONUMENT: 5/8" IRON ROD

PARTY: DPS/JL

DATE: 3-14-16

COMMENTS: RR SPIKE FOUND BY HJC/VHL/DPS IN 2001
REPLACED WITH 5/8" IRON ROD.



CORNER LOCATION IN THE SECTION

A23