

WAYNE TOWNSHIP

T 32 N, R 3 W

A25

Brk. BUILDING CORNER

RANGE RD.

P.K. IN Pw.P.

91.3'

79.9'

JACKSON SECTION 36
T 33 N, R 3 W

CENTER SECTION 31
T 33 N, R 2 W

COUNTY RD. 300 S.
(TOTO RD.)

WAYNE SECTION 1
T 32 N, R 3 W

CALIFORNIA SECTION 6
T 32 N, R 2 W

75.7'

79.1'

- X - X - X - X

CORNER OF CHAIN LINK FENCE

Brk. BUILDING CORNER

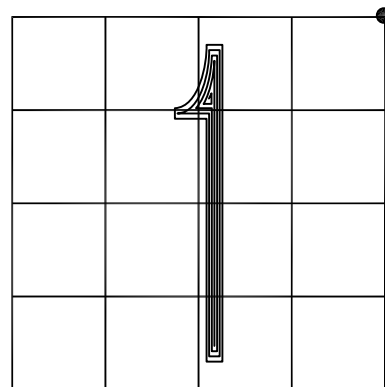
MONUMENT: MAG NAIL

CORNER OF: RECORD USE

PARTY: JL/AO

DATE: 7-9-2012

COMMENTS: FOUND IN 1954, 1982, 1990 AND 2000
CROSSING BOLT DESTROYED IN ROAD RECONSTRUCTION.
FOUND MAG NAIL IN AGREEMENT WITH REFERENCES.



A25

CORNER LOCATION IN THE SECTION