

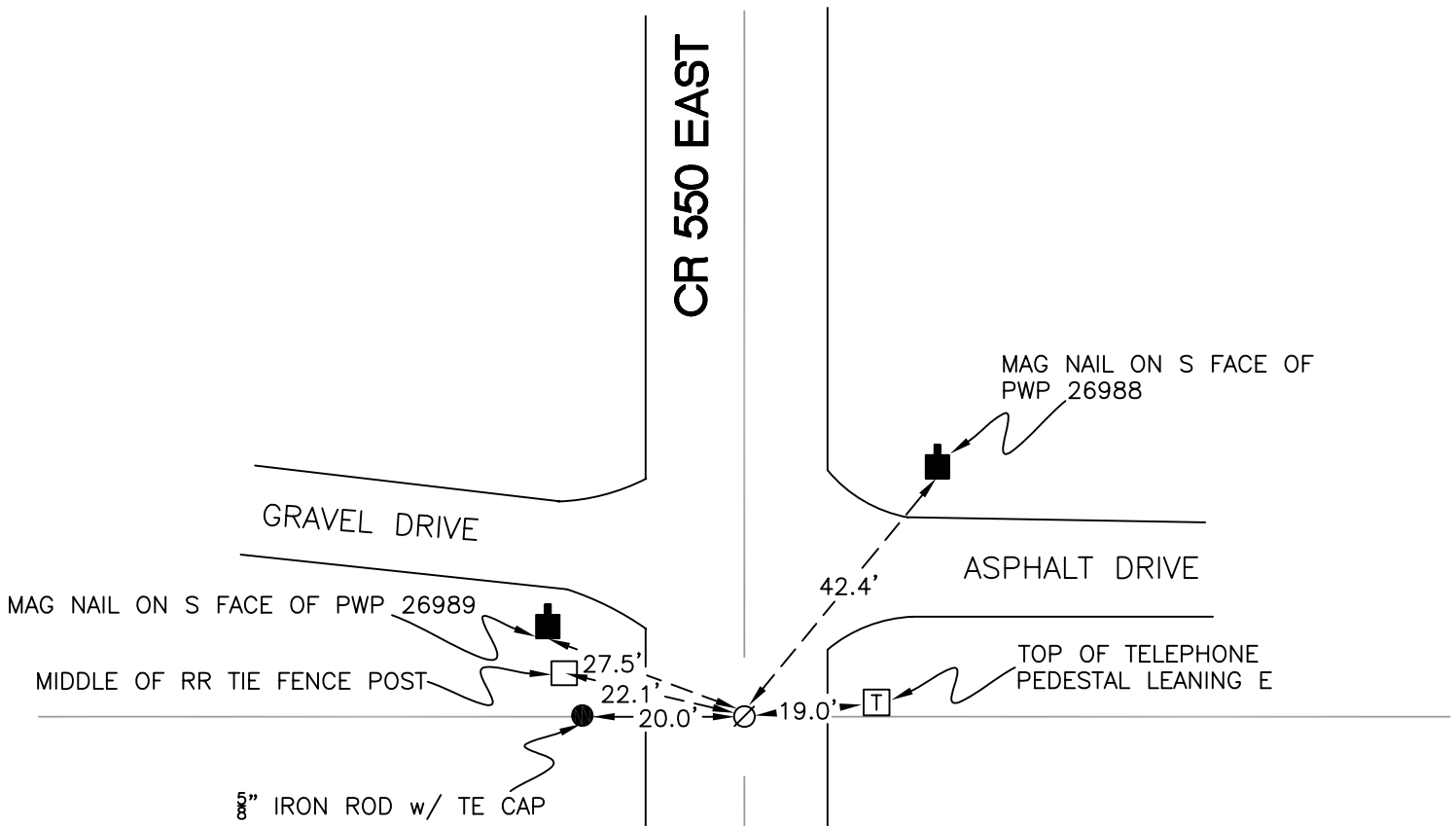
# CALIFORNIA TOWNSHIP

T 32 N, R 2 W

## C23

SECTION 1

SECTION 1



SECTION 1

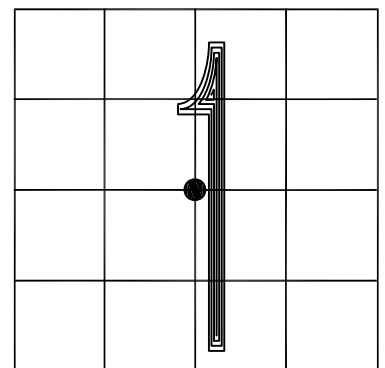
SECTION 1

MONUMENT: RAILROAD SPIKE

PARTY: JL

DATE: 10/26/11

COMMENTS: 4" BELOW GRADE; 1½' E OF  $\dot{C}$  OF 550E;  
FOUND BY TERRITORIAL ENGINEERING BUT  
USED IN PAST SURVEYS BY ECK, PROGRESSIVE  
ENGINEERING, AND TERRITORIAL ENGINEERING.



CORNER LOCATION IN THE SECTION

## C23