

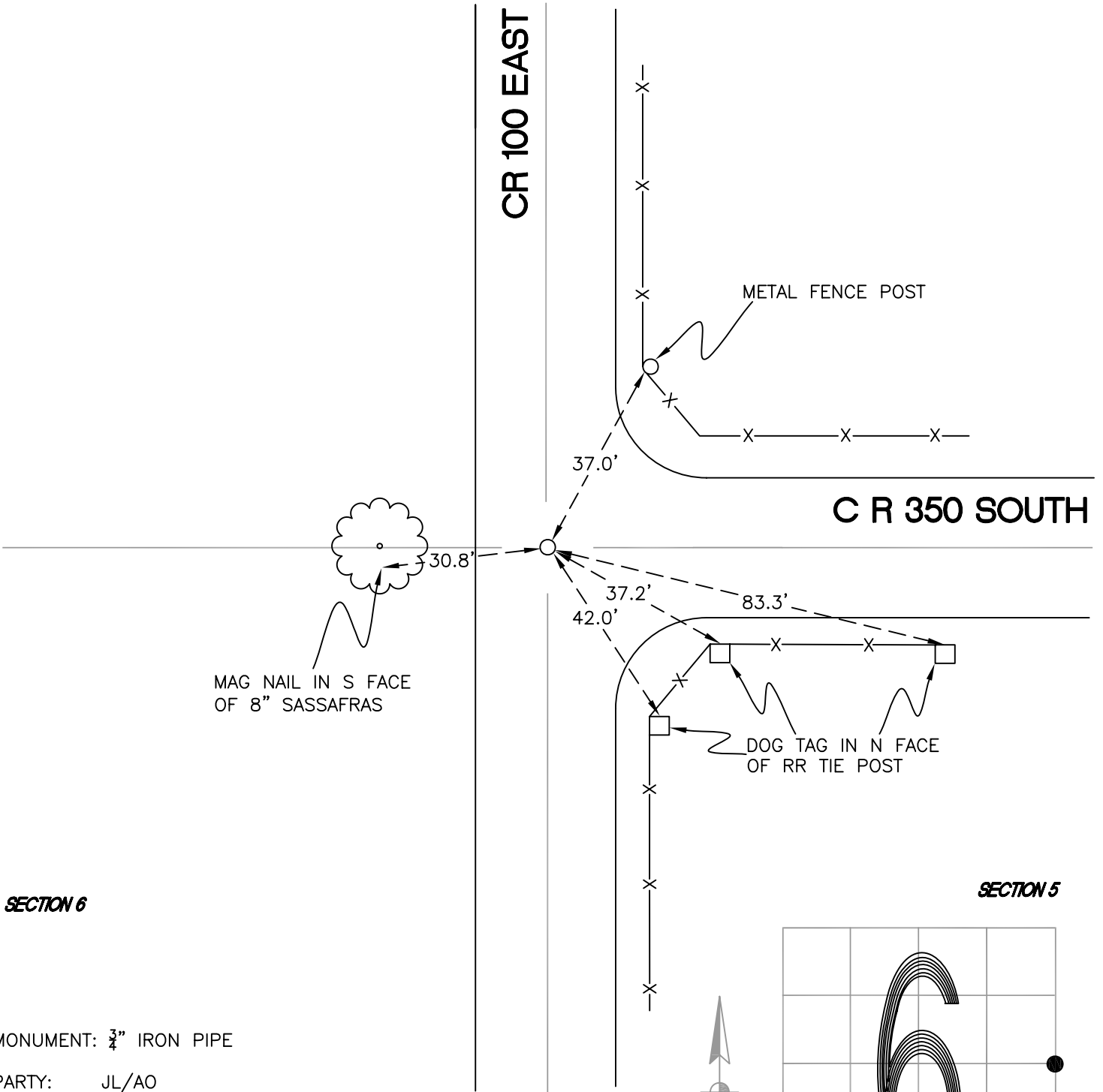
# CALIFORNIA TOWNSHIP

T 32 N, R 2 W

## C5

SECTION 6

SECTION 5



SECTION 6

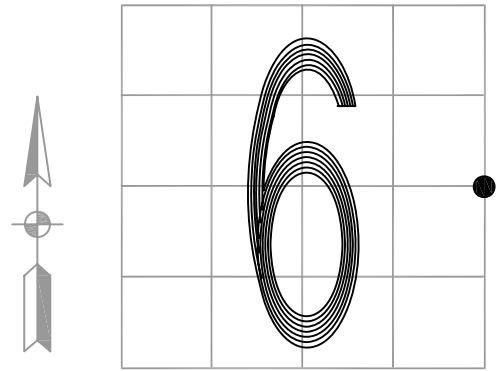
SECTION 5

MONUMENT: 3/4" IRON PIPE

PARTY: JL/AO

DATE: 7/11/12

COMMENTS: FOUND IN 1982 BY VHJ



CORNER LOCATION IN THE SECTION

## C5