

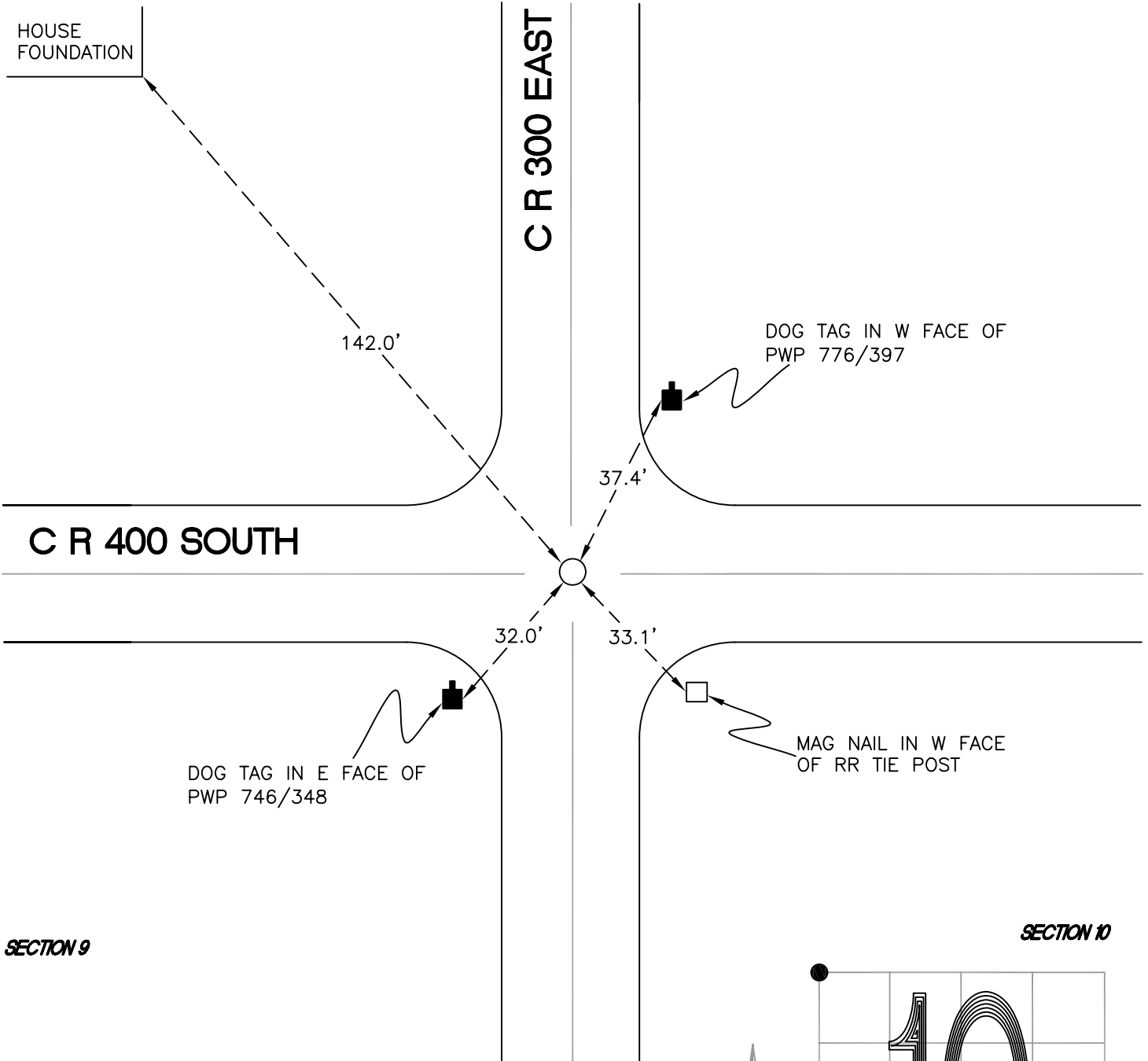
# CALIFORNIA TOWNSHIP

T 32 N, R 2 W

## E13

SECTION 4

SECTION 3

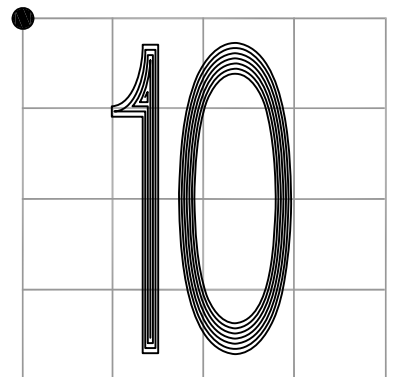


MONUMENT: 1 1/2" IRON PIPE w/ 5/8" SQUARE IRON ROD IN THE MIDDLE

PARTY: JL/AO

DATE: 7/11/12

COMMENTS: 5" BELOW GRADE. FOUND IN 1956 AND 1966 BY JBS, 1977 BY CETA, AND 1986 BY VHJ. THE 1986 OBSERVATION INDICATES A STONE BELOW THE IRON PIPE. THAT FACT NOT VERIFIED IN 2012.



CORNER LOCATION IN THE SECTION

## E13