

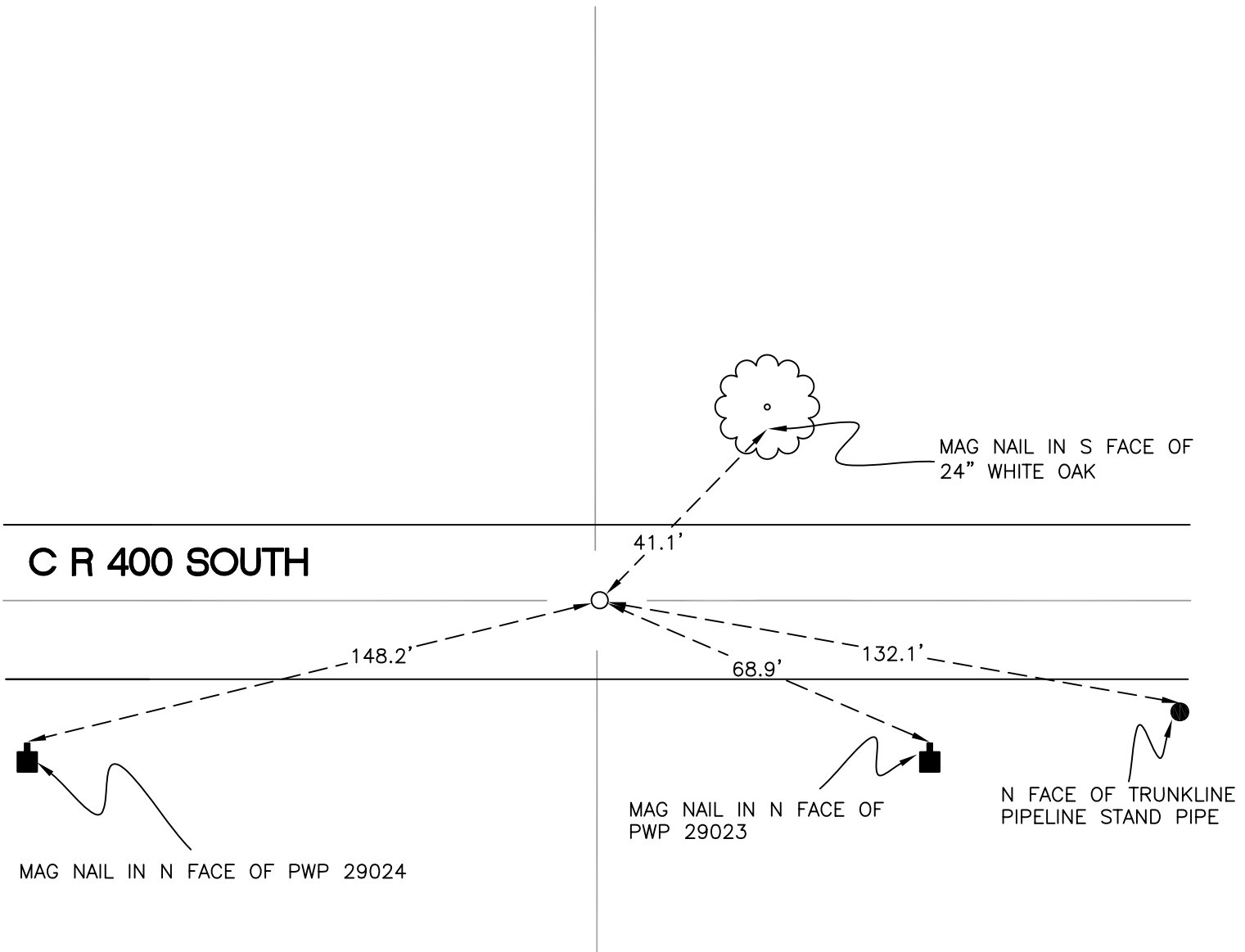
# CALIFORNIA TOWNSHIP

T 32 N, R 2 W

## E19

SECTION 2

SECTION 2



SECTION 11

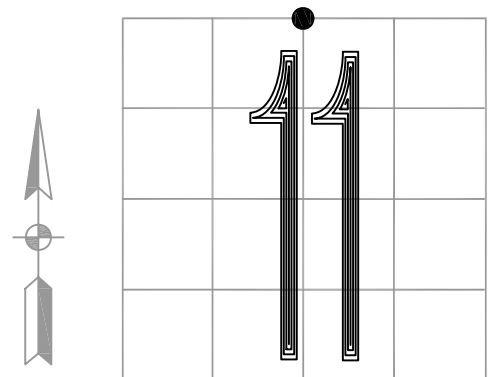
SECTION 11

MONUMENT: 1/2" IRON PIPE

PARTY: JL/AO

DATE: 7/3/12

COMMENTS: 8" BELOW GRADE.  
FOUND IN 1985 BY SJF.



CORNER LOCATION IN THE SECTION

# E19