

OREGON TOWNSHIP

T 34 N, R 1 W

G14

C.R. 925 EAST

(S) RR SPIKE
EDGE OF PAVEMENT

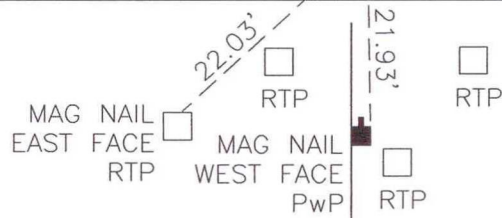
C.R. 750 NORTH

SECTION 10

SECTION 10

SECTION 10

SECTION 10



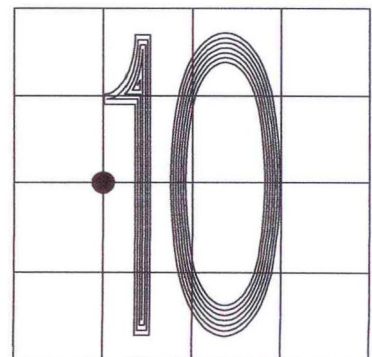
MONUMENT: (F) RR BOLT 1" BELOW GRADE

CORNER OF: RECORD USE

PARTY: VHJ/COD

DATE: 3-22-05

COMMENTS:



CORNER LOCATION IN THE SECTION