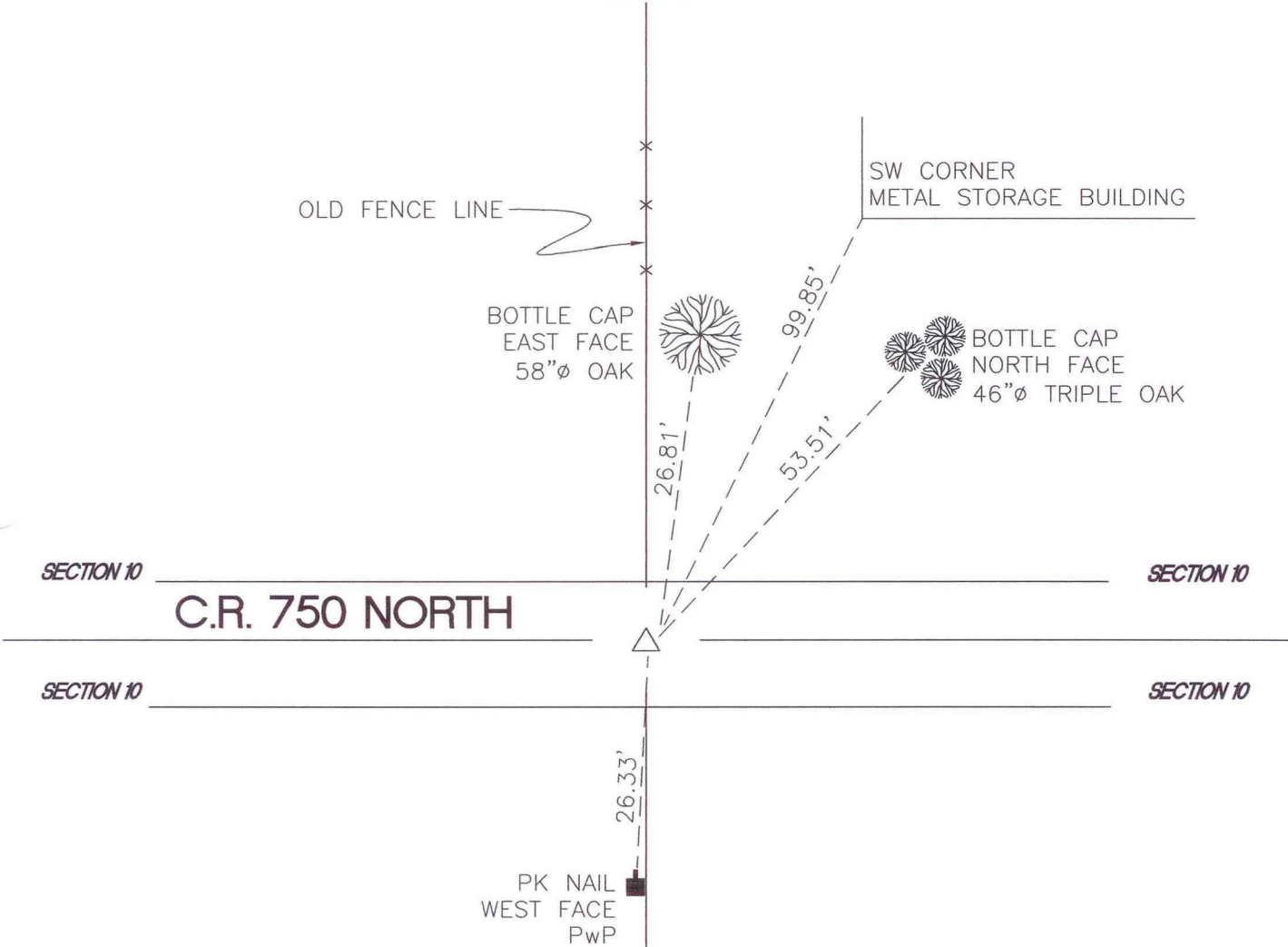


# OREGON TOWNSHIP

T 34 N, R 1 W

## G15



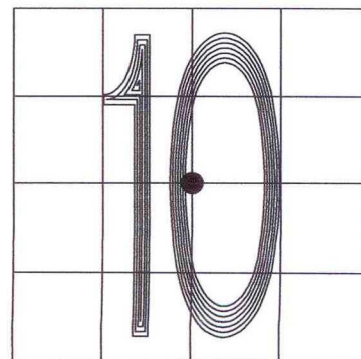
MONUMENT: (F) 3/4" IRON ROD 2" BELOW GRADE

CORNER OF: RECORD  USE

PARTY: VHJ / COD

DATE: 3-22-05

COMMENTS:



CORNER LOCATION IN THE SECTION