

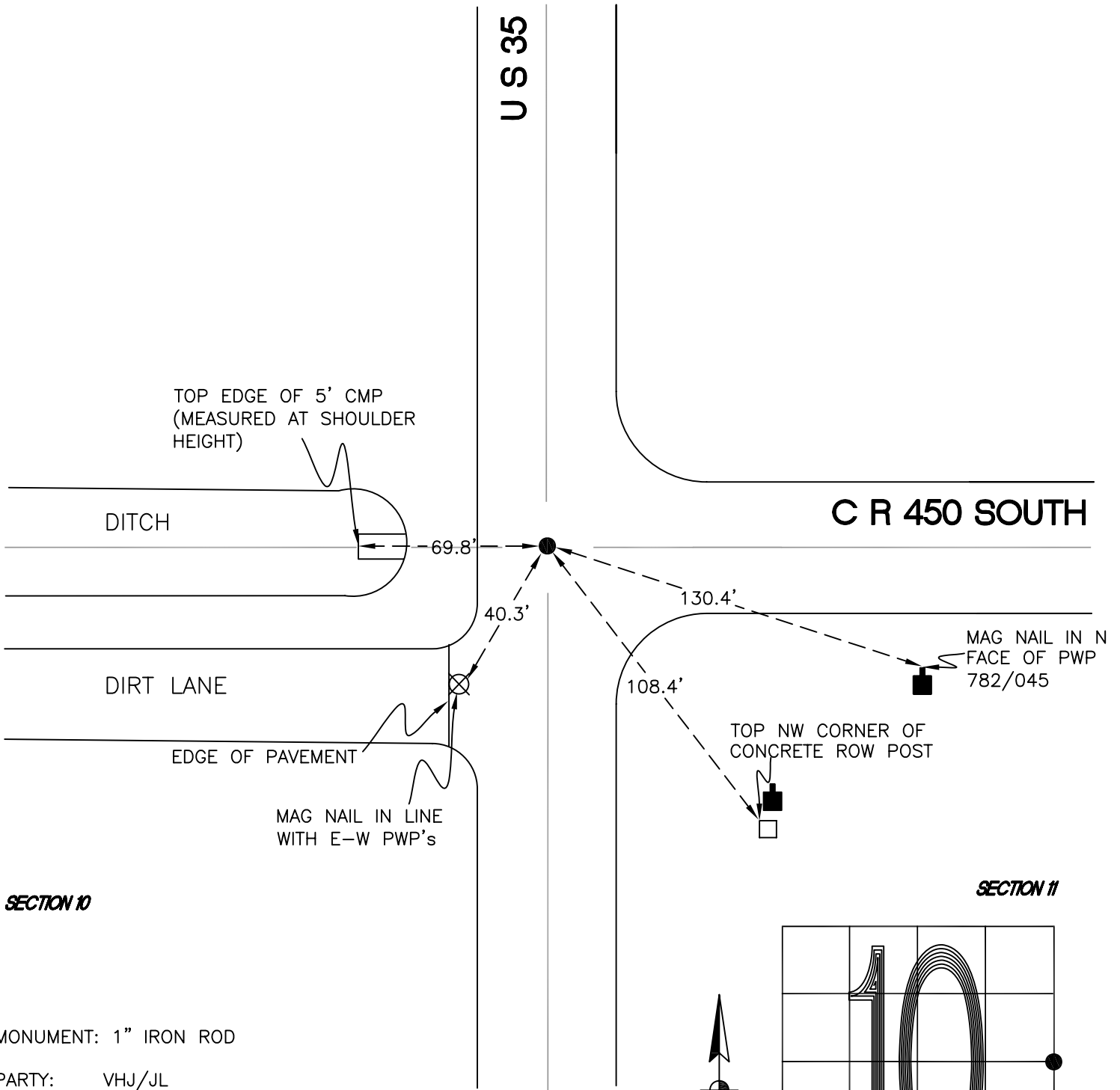
CALIFORNIA TOWNSHIP

T 32 N, R 2 W

G17

SECTION 10

SECTION 11



SECTION 10

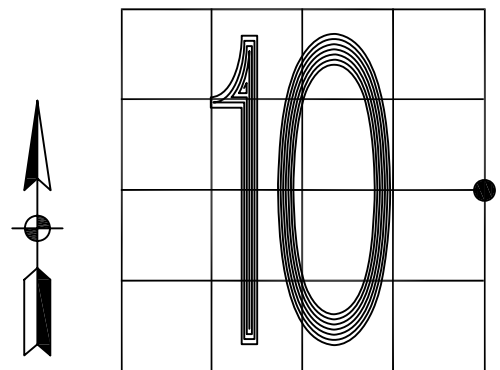
SECTION 11

MONUMENT: 1" IRON ROD

PARTY: VHJ/JL

DATE: 2/7/2013

COMMENTS: CRAMER SURVEY (BOOK MM, PAGE 649)
ESTABLISHED THIS MONUMENT.
INDOT RESET MONUMENT IN 2006.



CORNER LOCATION IN THE SECTION

G17