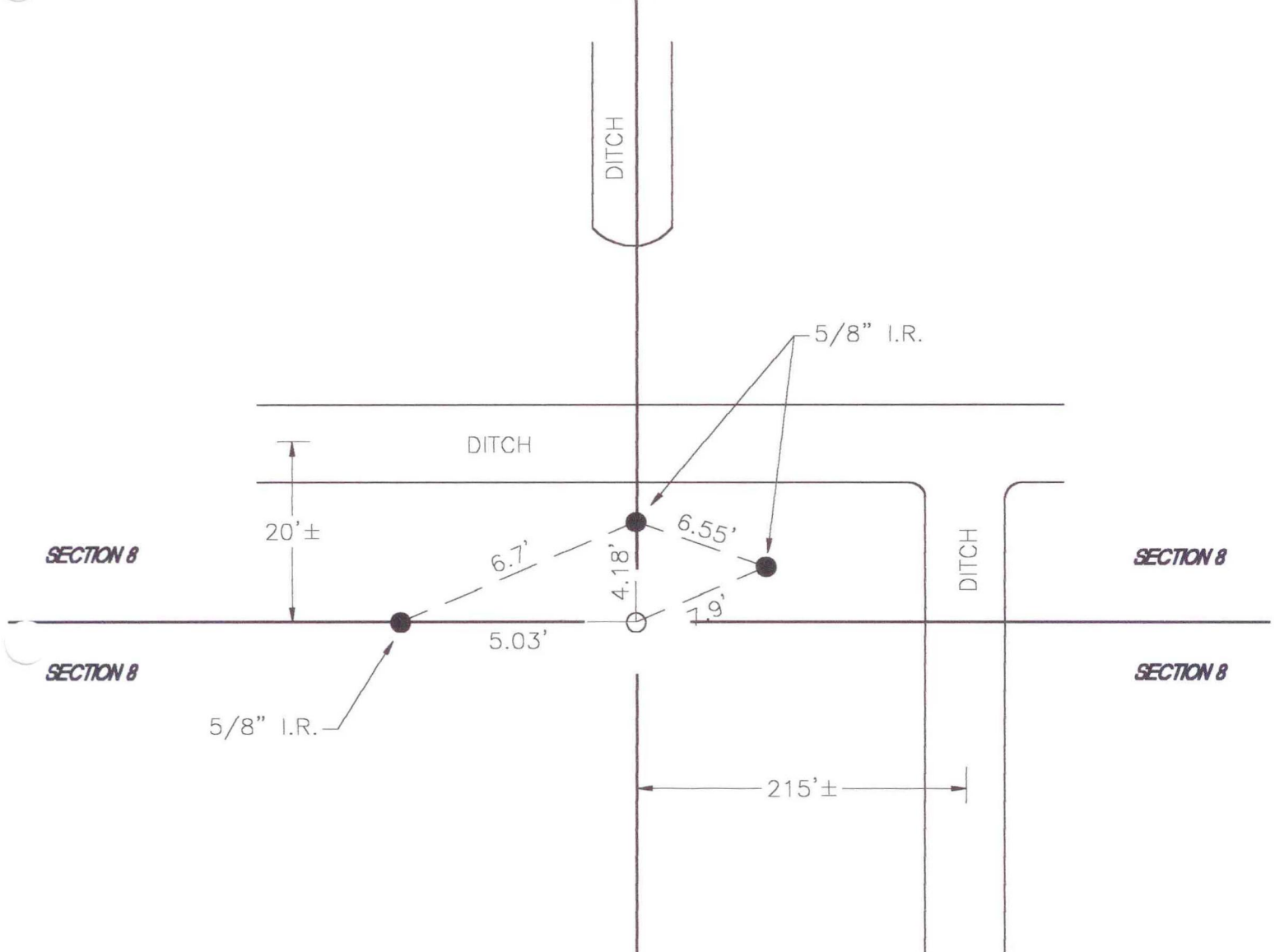


# CENTER TOWNSHIP

T 33 N, R 2 W

## G7



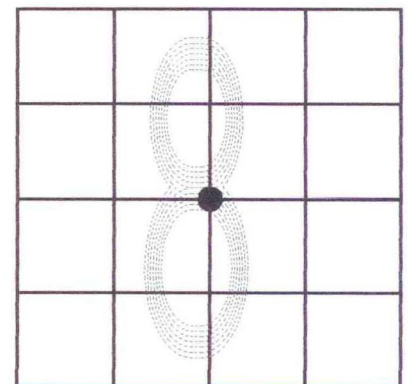
MONUMENT: 1-1/2" IRON PIPE

CORNER OF: RECORD  USE

PARTY: DWC \ DPS

DATE: 10-11-2000

COMMENTS: IRON PIPE SET IN TOP OF DITCH BANK



CORNER LOCATION IN THE SECTION