

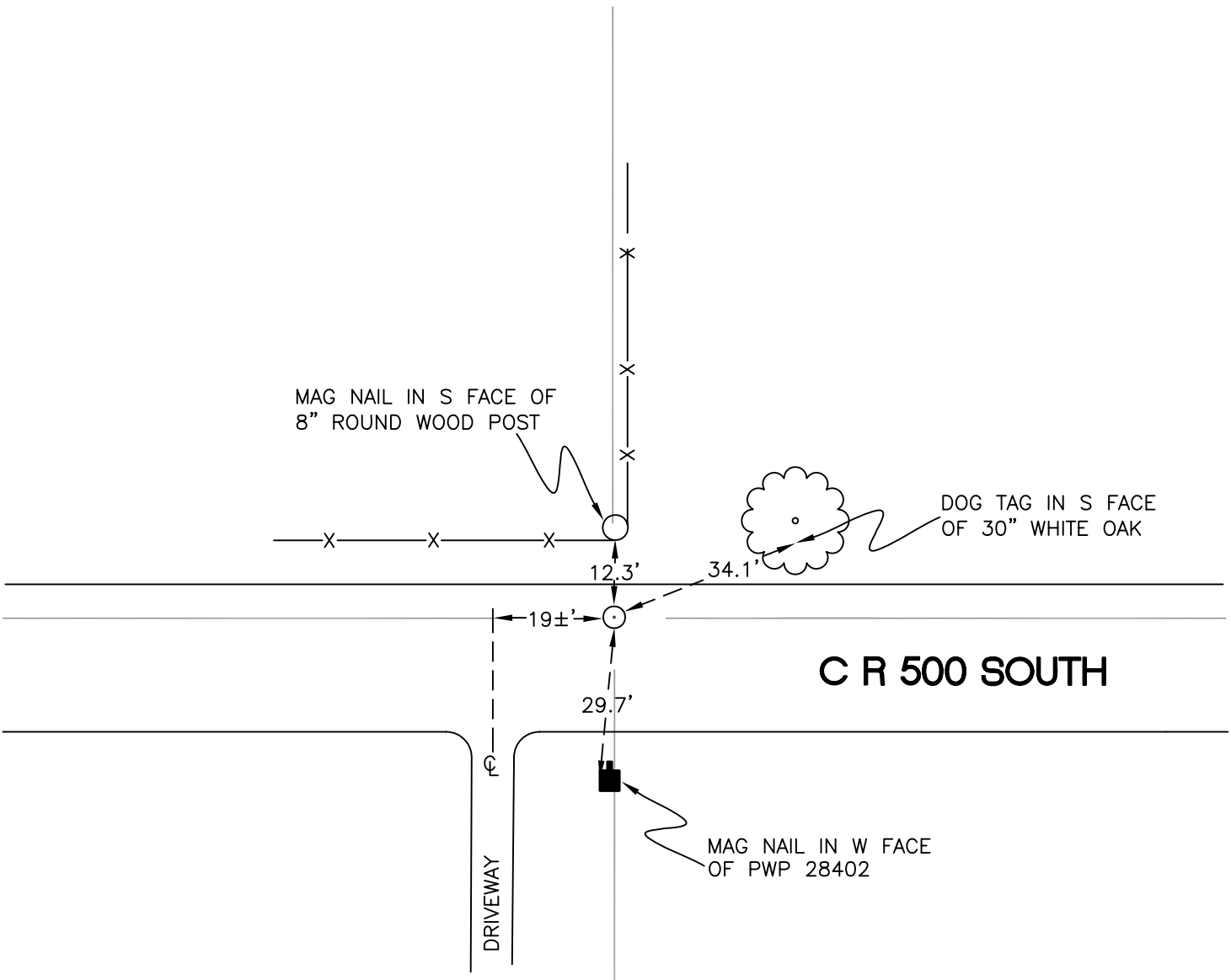
# CALIFORNIA TOWNSHIP

T 32 N, R 2 W

## J10

SECTION 9

SECTION 9



SECTION 16

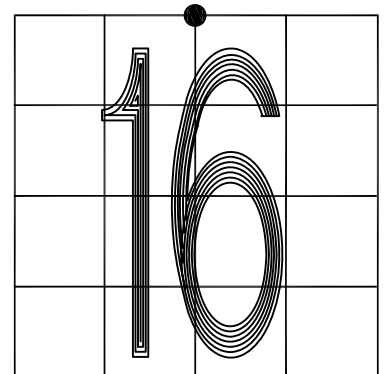
SECTION 16

MONUMENT: RAIL BOLT

PARTY: JL/AO

DATE: 7/23/12

COMMENTS: 5.5' N OF  $\phi$  OF 500 S. FOUND IN 1991 BY DWC/AW.



CORNER LOCATION IN THE SECTION

# J10