

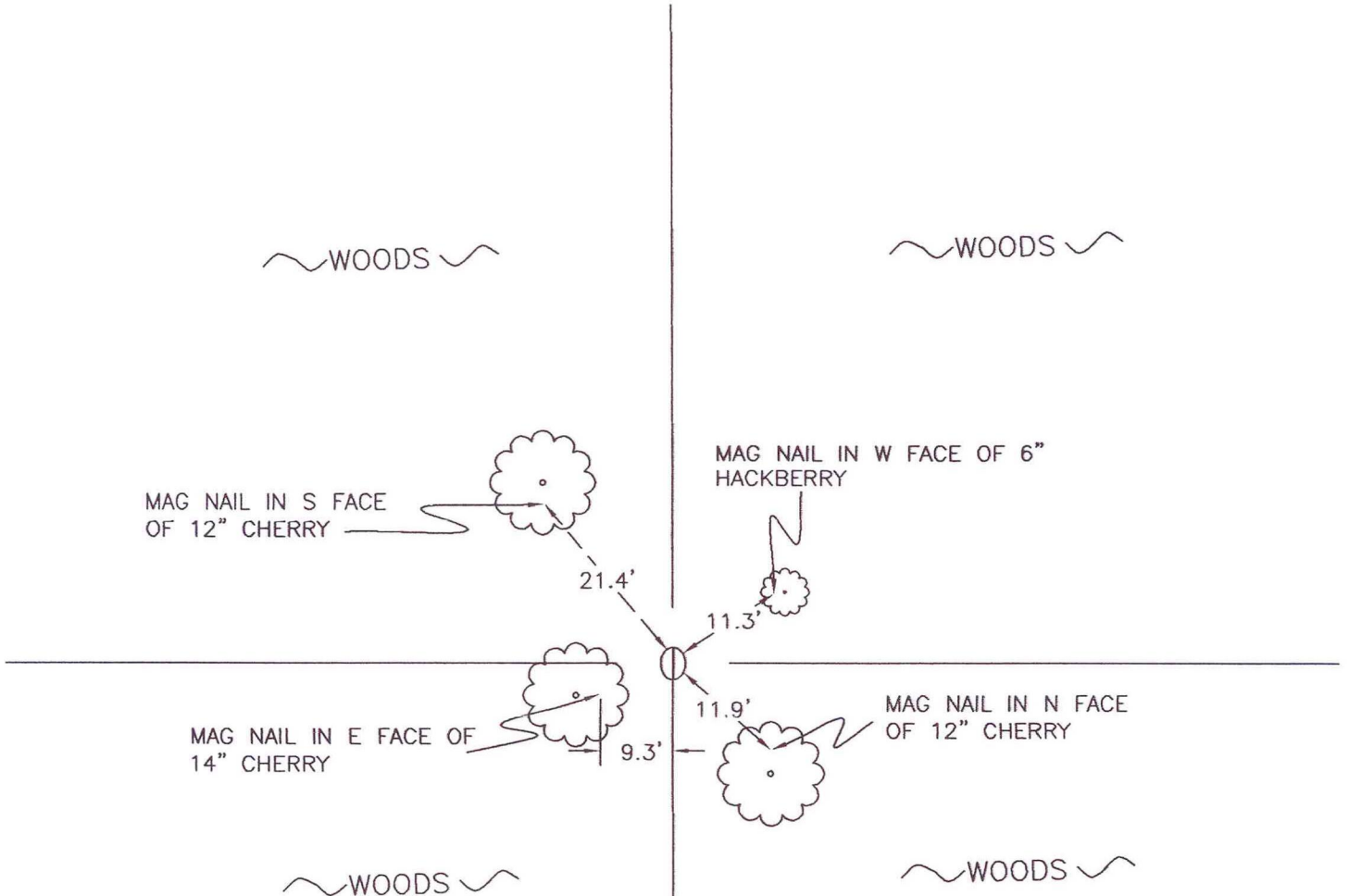
WASHINGTON TOWNSHIP

T 33 N, R 1 W

J11

SECTION 9

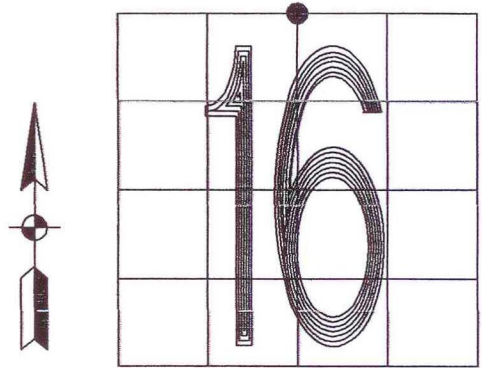
SECTION 9



SECTION 16

SECTION 16

MONUMENT: 1" PINCH PIPE NEXT TO ORANGE T-POST
CORNER OF: RECORD USE
PARTY: JL/PM
DATE: 11-15-2007
COMMENTS: ABOUT 300' E OF THE END OF A LANE;
1/2 MILE E OF CORNER OF 100N & 800E



CORNER LOCATION IN THE SECTION

J11