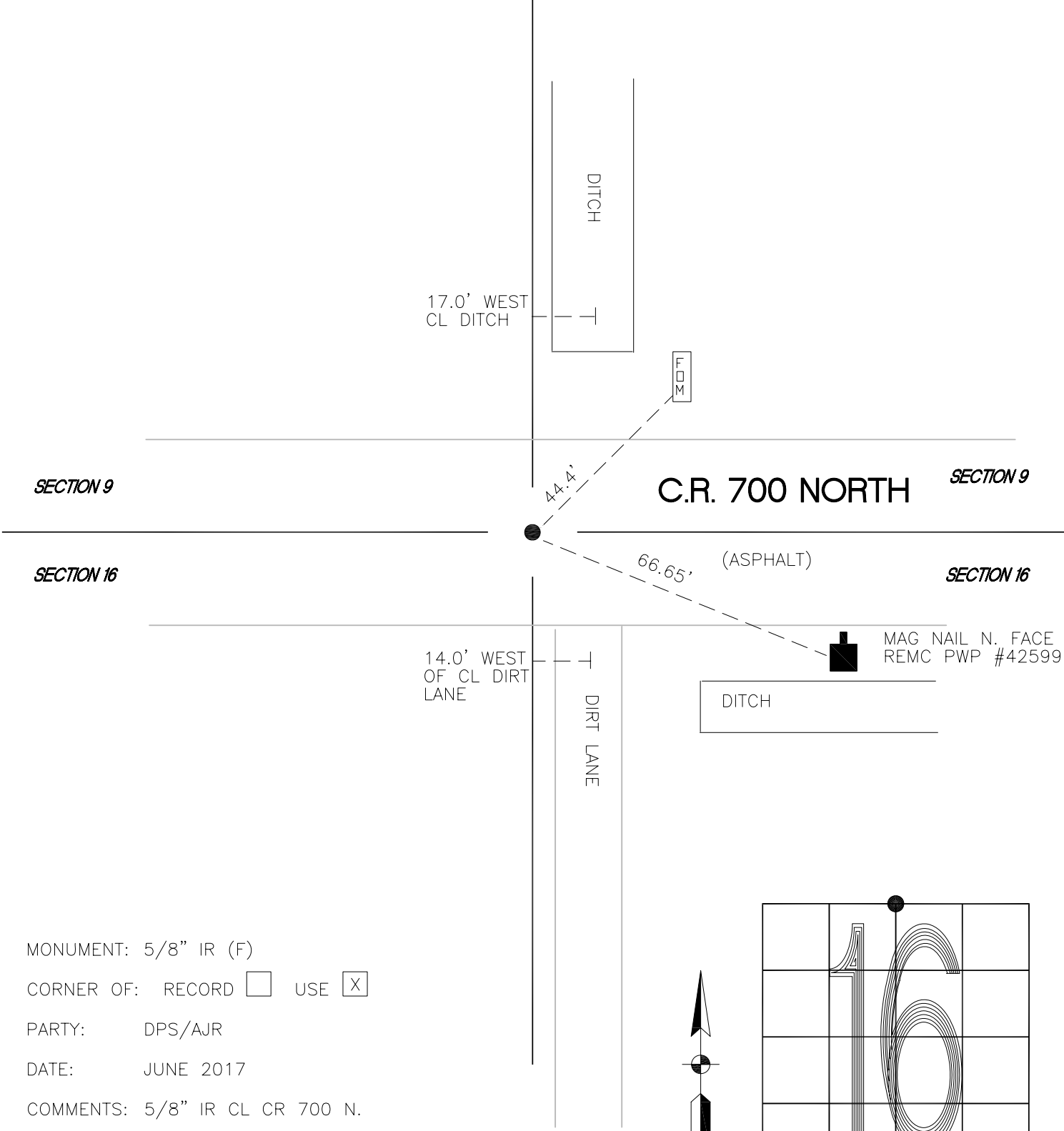


DAVIS TOWNSHIP
T 34 N, R 2 W

J11



SECTION 9

SECTION 9

SECTION 16

SECTION 16

C.R. 700 NORTH

(ASPHALT)

17.0' WEST
CL DITCH

FOM

44.4'

66.65'

14.0' WEST
OF CL DIRT
LANE

DIRT LANE

DITCH

MAG NAIL N. FACE
REMC PWP #42599

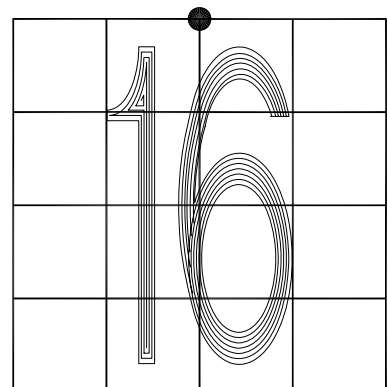
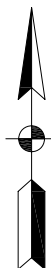
MONUMENT: 5/8" IR (F)

CORNER OF: RECORD USE

PARTY: DPS/AJR

DATE: JUNE 2017

COMMENTS: 5/8" IR CL CR 700 N.



CORNER LOCATION IN THE SECTION