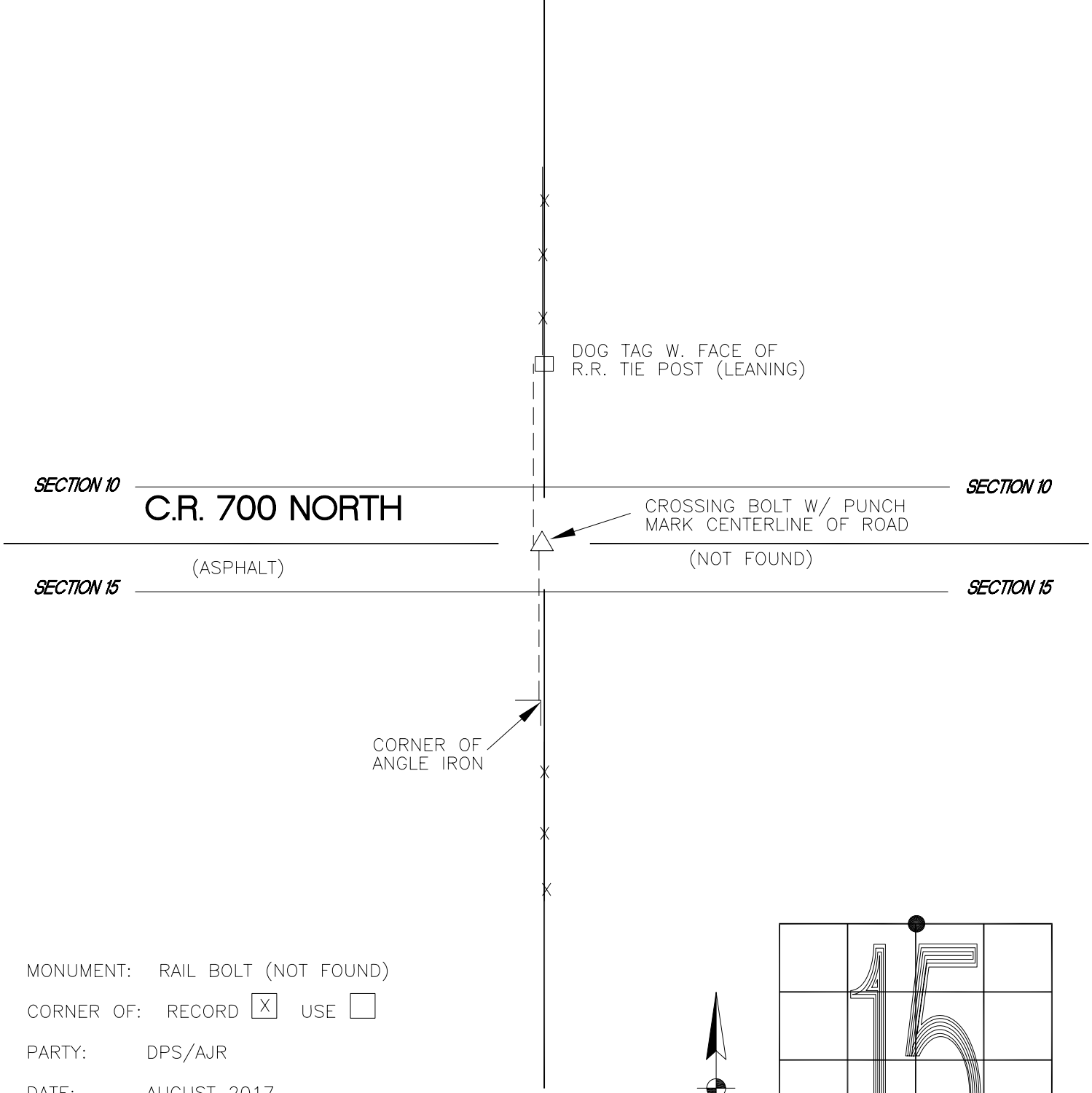


DAVIS TOWNSHIP

T 34 N, R 2 W

J15



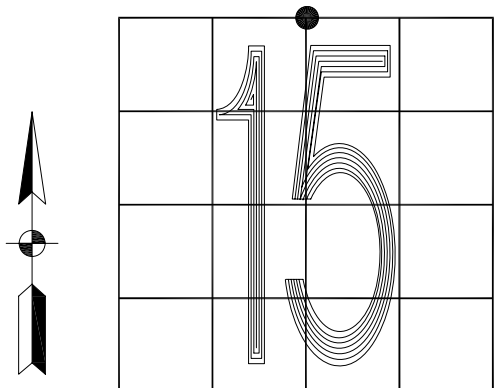
MONUMENT: RAIL BOLT (NOT FOUND)

CORNER OF: RECORD USE

PARTY: DPS/AJR

DATE: AUGUST 2017

COMMENTS: MONUMENT SET IN 1992 NOT FOUND
ANGLE IRON AND R.R. TIE POST FOUND
POWER POLES NOT FOUND



CORNER LOCATION IN THE SECTION