

OREGON TOWNSHIP

T 34 N, R 1 W

J17

STATE ROAD 23

C.R. 700 NORTH

SECTION 10

SECTION 11

SECTION 15

SECTION 14

MAG NAIL
NE FACE
PwP

40.40'

TRACK BOLT
FLUSH
EDGE OF PAVEMENT

20.17'

55.26'

MAG NAIL
SW FACE
BROKEN PwP
NEXT TO TfpED

MONUMENT: (F) HARRISON SET BY STATE HWY DEPT

CORNER OF: RECORD USE

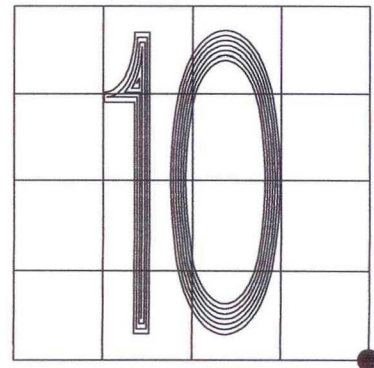
PARTY: VHJ/COD

DATE: 3-24-05

COMMENTS:

HISTORY:

RP FOUND RR SPIKE ON AUGUST 5, 1982.



CORNER LOCATION IN THE SECTION