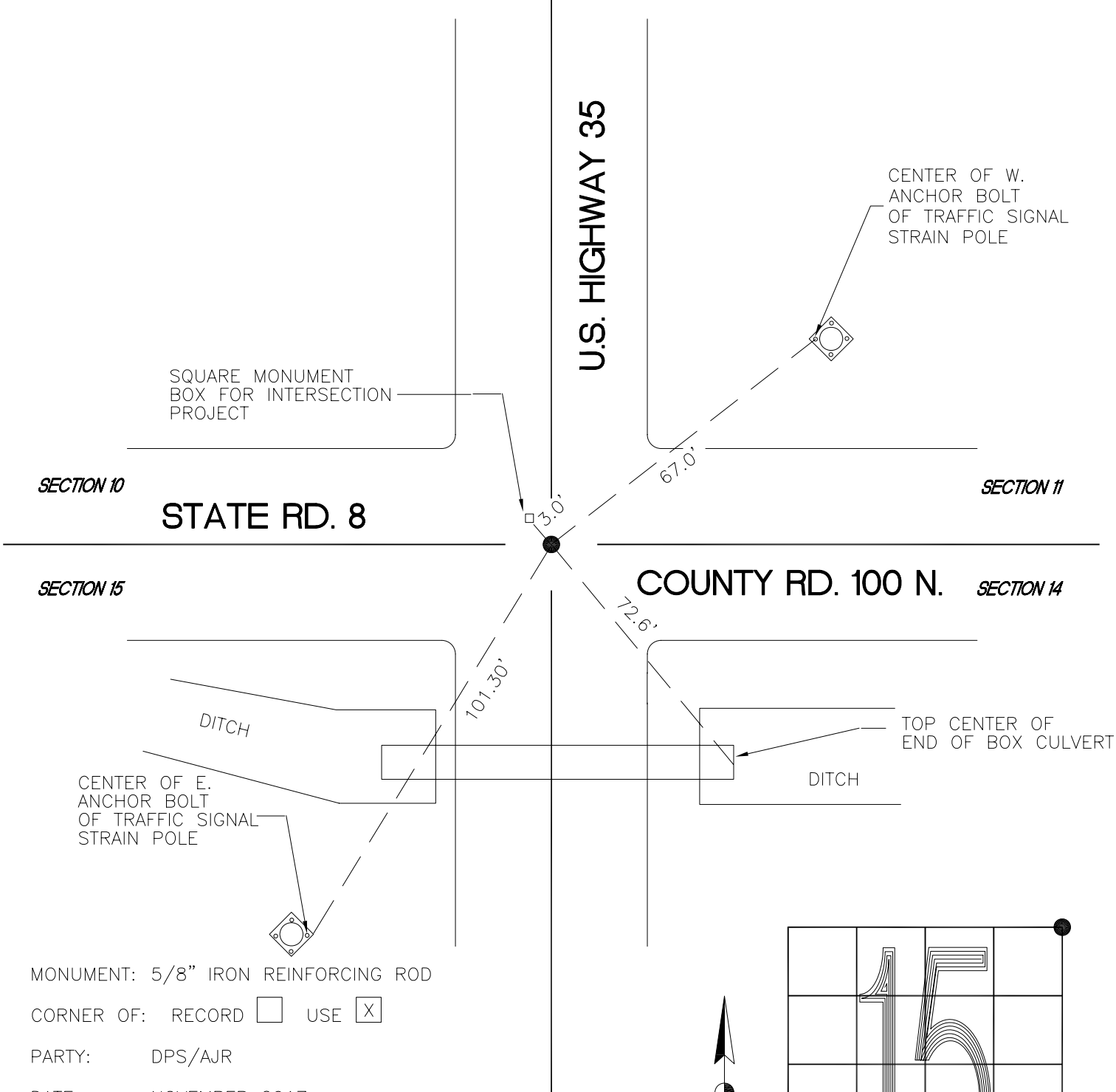


CENTER TOWNSHIP

T 33 N, R 2 W

J17



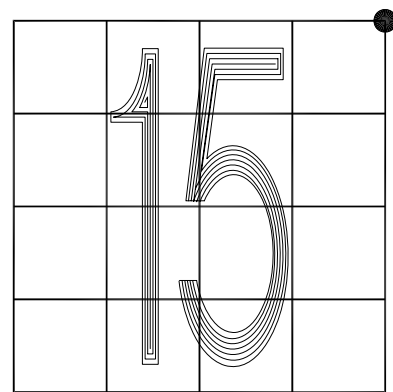
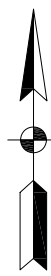
MONUMENT: 5/8" IRON REINFORCING ROD

CORNER OF: RECORD USE

PARTY: DPS/AJR

DATE: NOVEMBER 2017

COMMENTS: MONUMENT IN 8" CASTING
2.2' E. OF CENTERLINE U.S. 35



CORNER LOCATION IN THE SECTION