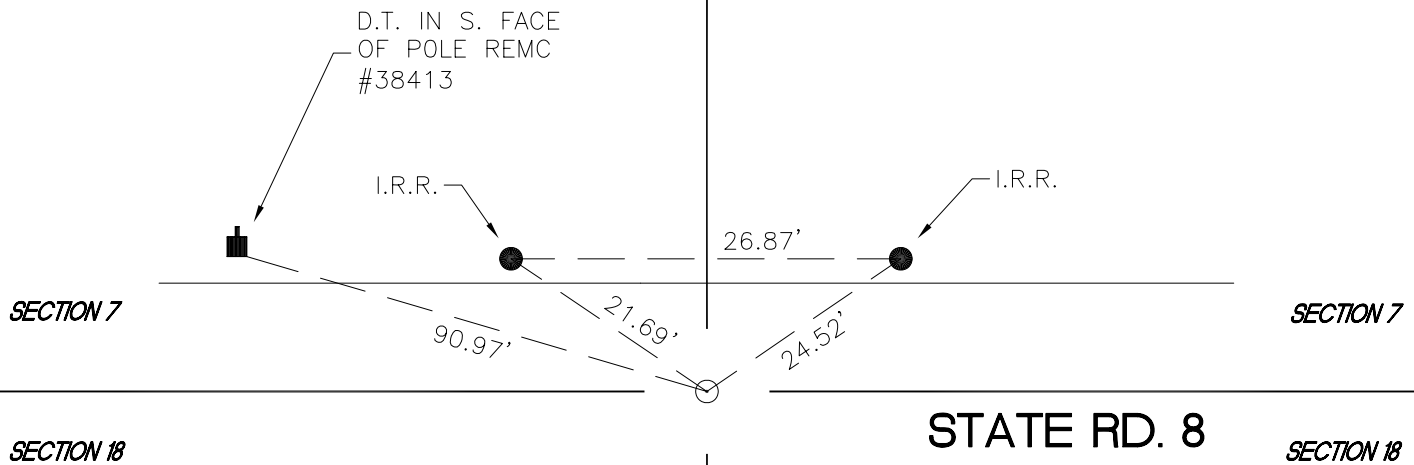


# CENTER TOWNSHIP

T 33 N, R 2 W

## J3



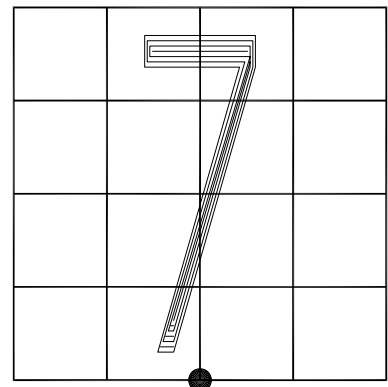
MONUMENT: CROSSING BOLT

CORNER OF: RECORD  USE

PARTY: DPS/AJR

DATE: NOVEMBER 2017

COMMENTS: BOLT IS LOCATED 6.3'± SOUTH OF CENTERLINE OF ST. RD. 8



CORNER LOCATION IN THE SECTION