

DAVIS TOWNSHIP

T 34 N, R 2 W

J5

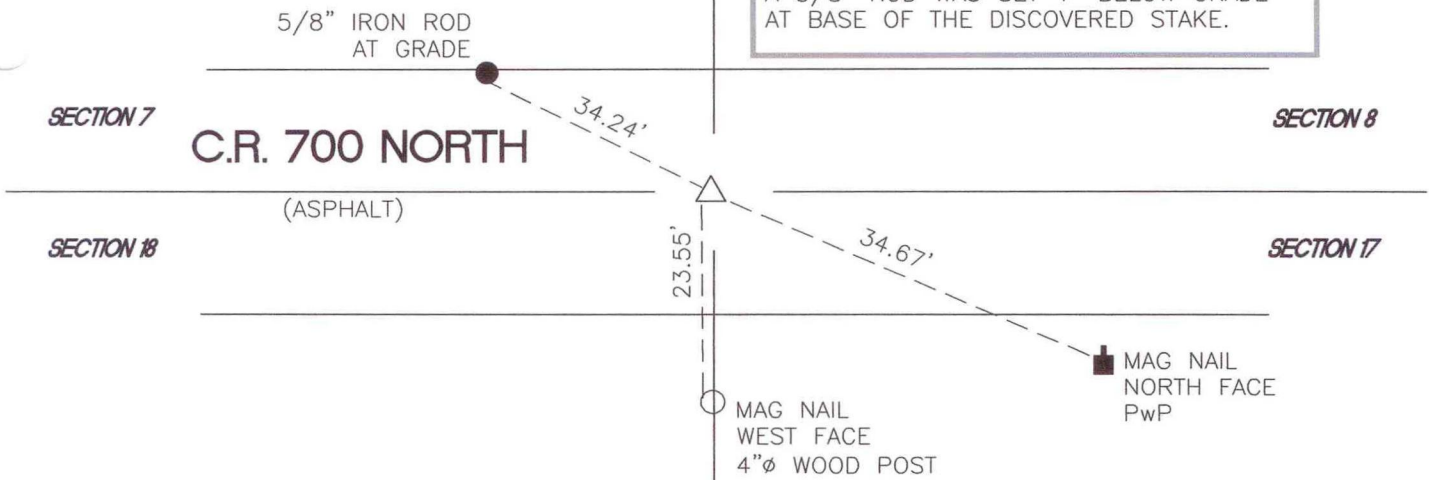
CORNER DISCOVERY:

DIMENSIONS FROM C.E. PAUL'S 1932 COUNTY LINE SURVEY WERE USED TO PINPOINT LOCATION.

ON FEBRUARY 8, 2005, DPS/VHJ/COD OF TERRITORIAL ENGR, LLC, DUG HOLE 2' X 3' X 1.2' DEEP AND FOUND A WOODEN STAKE WITH CHISEL POINT BENT OVER WITH ONE SQUARE FOOT OF CONCRETE OR MORTAR 1'± EAST OF STAKE AND 1.5'± BELOW GRADE.

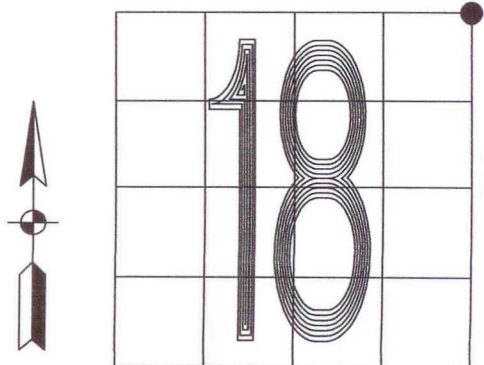
FENCE WIRE WAS FOUND RUNNING TO THE MORTAR FROM THE NORTH.

A 5/8" ROD WAS SET 1" BELOW GRADE AT BASE OF THE DISCOVERED STAKE.



MONUMENT: (S) 5/8" IRON ROD 1" BELOW GRADE
 CORNER OF: RECORD USE
 PARTY: DPS/VHJ/COD
 DATE: 2-8-05

COMMENTS:
 (SEE BOX ABOVE FOR INFORMATION ON THE DISCOVERY AT THIS CORNER)



CORNER LOCATION IN THE SECTION