

# OREGON TOWNSHIP

T 34 N, R 1 W

## J5

CORNER HISTORY:  
APRIL 27, 1978 CETA FOUND A  
STONE AND STAKE AND SET A CIP ON  
THE NORTH SIDE OF STONE.

MAY 14, 1992 DWC/DS OF  
TERRITORIAL ENGR SET A SQUARE  
BOLT OVER THE HIGH POINT OF  
STONE.

MARCH 24, 2005 VHJ/COD OF  
TERRITORIAL ENGR FOUND THE  
SQUARE BOLT ALONG WITH 2" CIP  
0.46' NW OF BOLT LEANING TO THE  
SOUTHEAST; THEN, MARKED THE BOLT  
WITH AN 'X'.

MAG NAIL  
NE FACE  
PwP

C.R. 700 EAST

(GRAVEL)

114.48'

PK NAIL  
SOUTH FACE  
DOUBLE 26"Ø WALNUT TREE

SECTION 7

C.R. 700 NORTH

SECTION 8

(ASPHALT)

SECTION 18

HEADLESS SPIKE  
EDGE OF PAVEMENT

19.42'

SECTION 17

(EARTHEN)

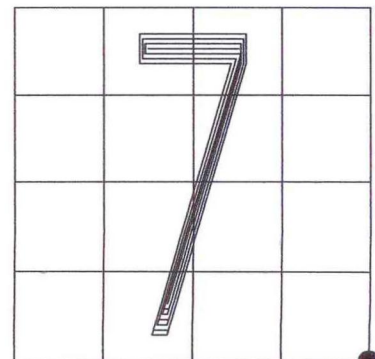
MONUMENT: (F) SQUARE BOLT AND MARKED WITH 'X'

CORNER OF: RECORD  USE

PARTY: VHJ/COD

DATE: 3-24-05

COMMENTS:  
(SEE NOTE ON CORNER HISTORY ABOVE)



CORNER LOCATION IN THE SECTION