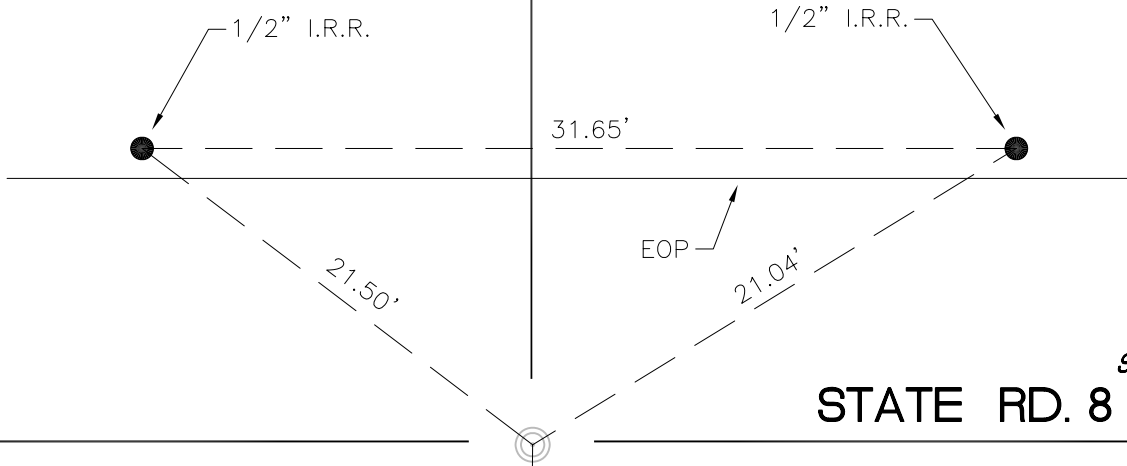


# CENTER TOWNSHIP

T 33 N, R 2 W

## J7



SECTION 8

SECTION 8

### STATE RD. 8

SECTION 17

SECTION 17

10.53'

EOP

5/8" I.R.R.

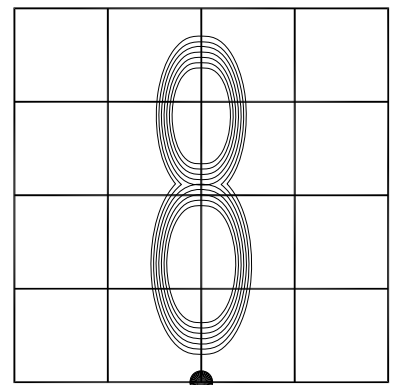
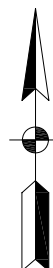
MONUMENT: CROSSING BOLT

CORNER OF: RECORD  USE

PARTY: DPS/AJR

DATE: NOVEMBER 2017

COMMENTS: POINT LOCATED 2.25' SOUTH OF CENTERLINE OF ROAD



CORNER LOCATION IN THE SECTION