

CALIFORNIA TOWNSHIP

T 32 N, R 2 W

L1

MAG. NAIL IN S. FACE OF Pw.P.

WAYNE TWP.
SECTION 13

WAYNE TWP.
SECTION 13

MAG NAIL IN E. FACE OF FENCE POST

MAG NAIL IN E. FACE OF Pw.P.

RANGE RD.

DITCH

CALIFORNIA TWP.
SECTION 18

CALIFORNIA TWP.
SECTION 18

176.7'

200.8'

6.5'±

26.3'

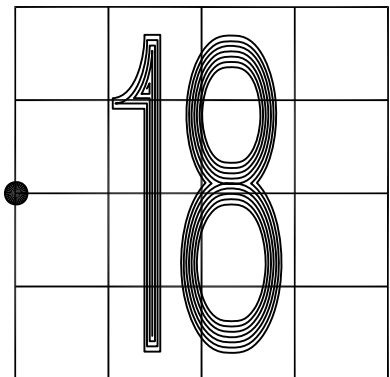
MONUMENT: 2" C.I.P.

CORNER OF: RECORD USE

PARTY: VHJ/JL

DATE: 2/13/2013

COMMENTS: (0.4' BELOW PVT.)
FIELD BOOK M-9, PG.23
FOUND BY VHJ IN 2003 AND
RLP IN 1984.



L1

CORNER LOCATION IN THE SECTION