

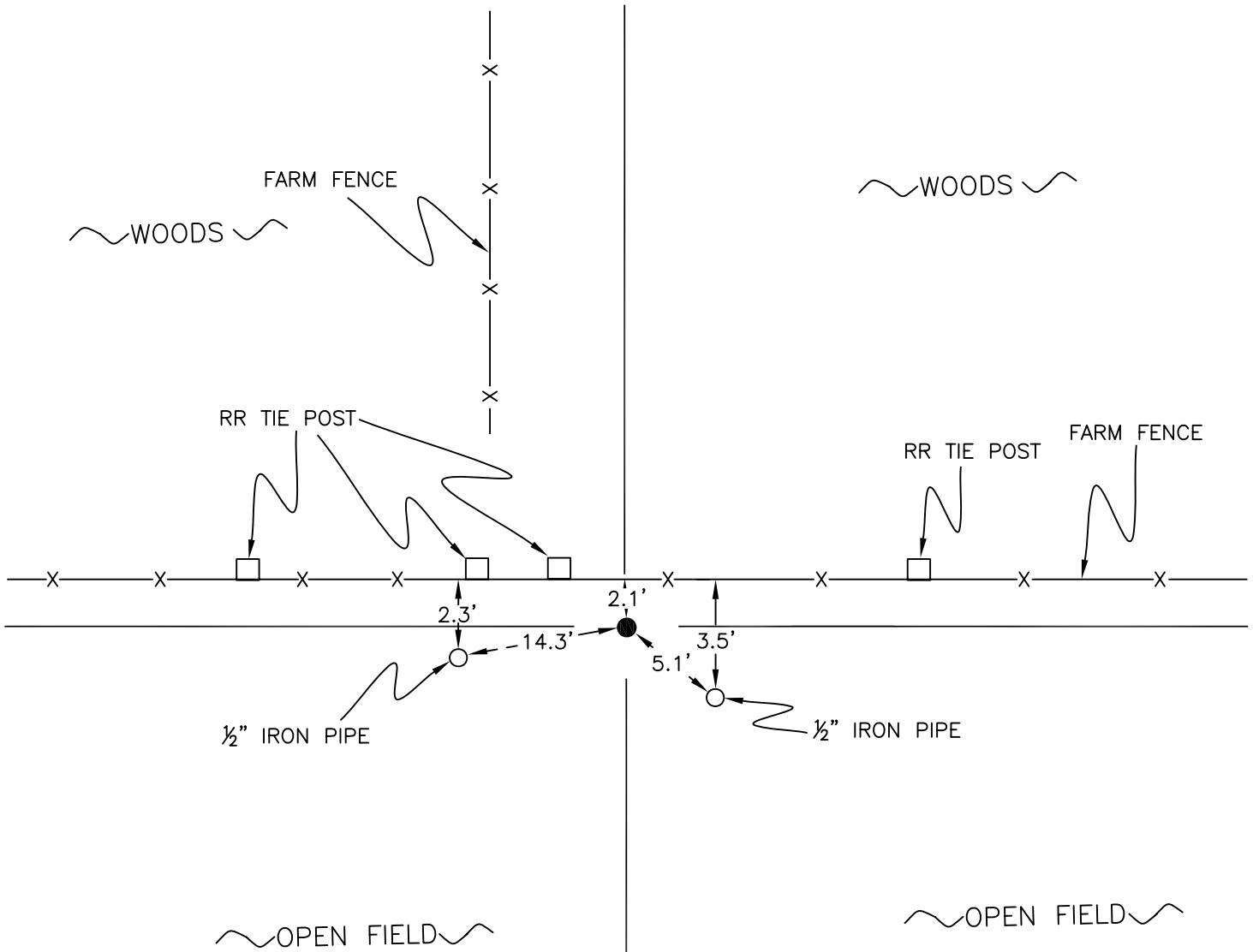
# WAYNE TOWNSHIP

T 32 N, R 2 W

## L13

SECTION 16

SECTION 15



SECTION 16

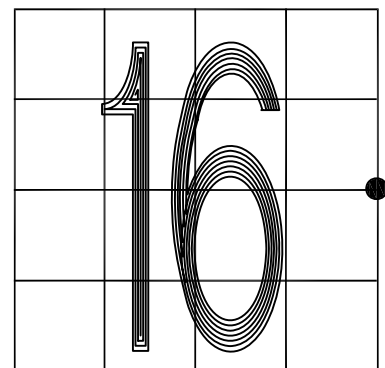
SECTION 15

MONUMENT:  $\frac{5}{8}$ " IRON ROD w/ TERRITORIAL ENGINEERING CAP

PARTY: DPS/JL

DATE: 8/29/12

COMMENTS: SET BY TERRITORIAL ENGINEERING;  
DOCUMENT # 2012003708.



CORNER LOCATION IN THE SECTION

# L13