

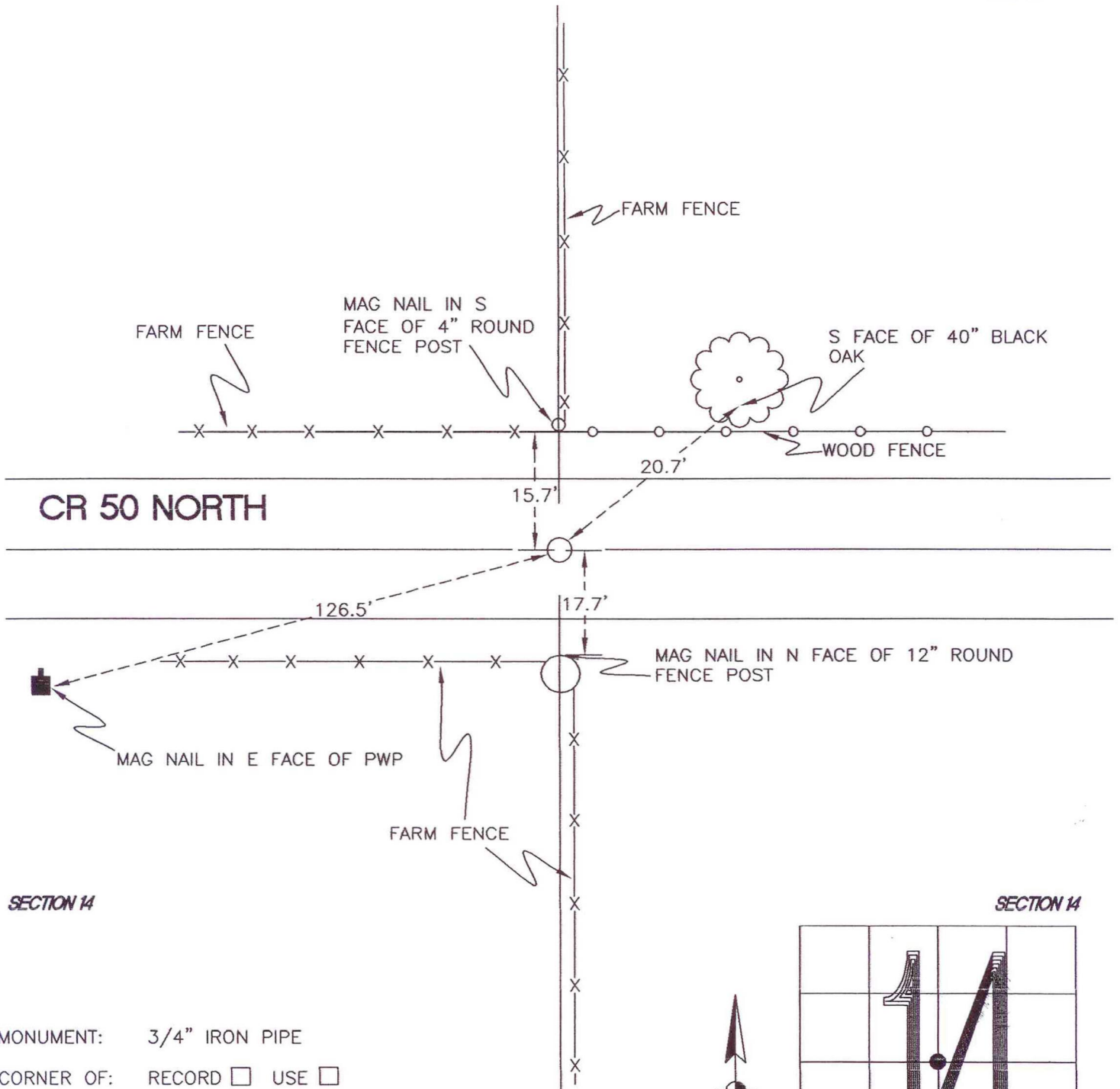
# WASHINGTON TOWNSHIP

T 33 N, R 1 W

## L19

SECTION 14

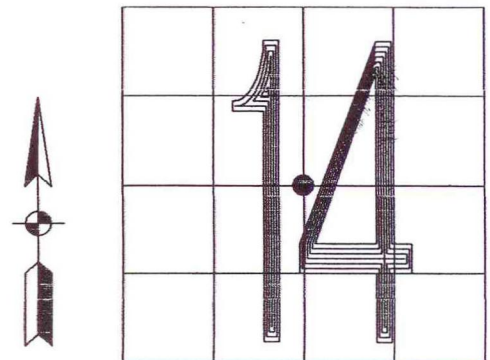
SECTION 14



SECTION 14

SECTION 14

MONUMENT: 3/4" IRON PIPE  
CORNER OF: RECORD  USE   
PARTY: JL/PM  
DATE: 11-6-2007  
COMMENTS: 3" BELOW GRADE



CORNER LOCATION IN THE SECTION

# L19