

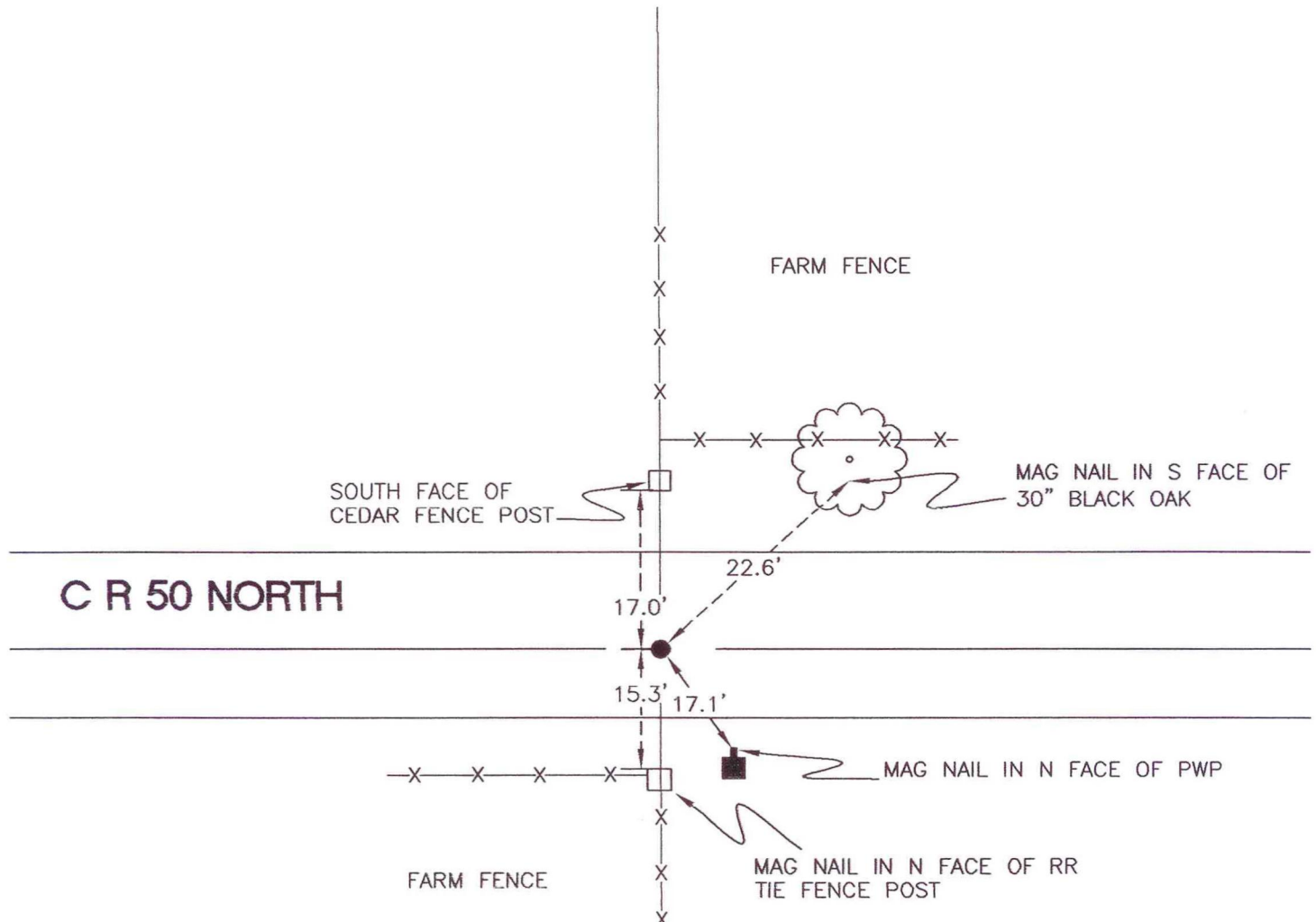
WASHINGTON TOWNSHIP

T 33 N, R 1 W

L21

SECTION 14

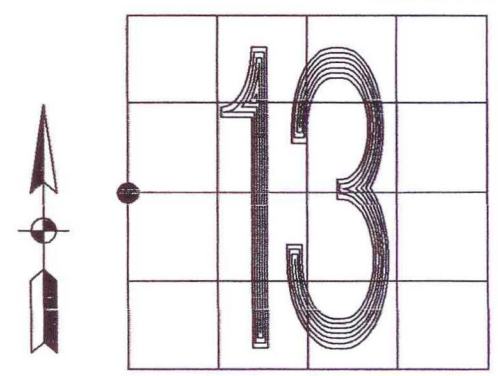
SECTION 13



SECTION 14

SECTION 13

MONUMENT: 1.5" IRON ROD W/ PUNCH MARK
CORNER OF: RECORD USE
PARTY: JL/PM
DATE: 11-6-2007
COMMENTS: 6" BELOW GRADE; 1.5' S OF ϕ OF 25N



CORNER LOCATION IN THE SECTION

L21