

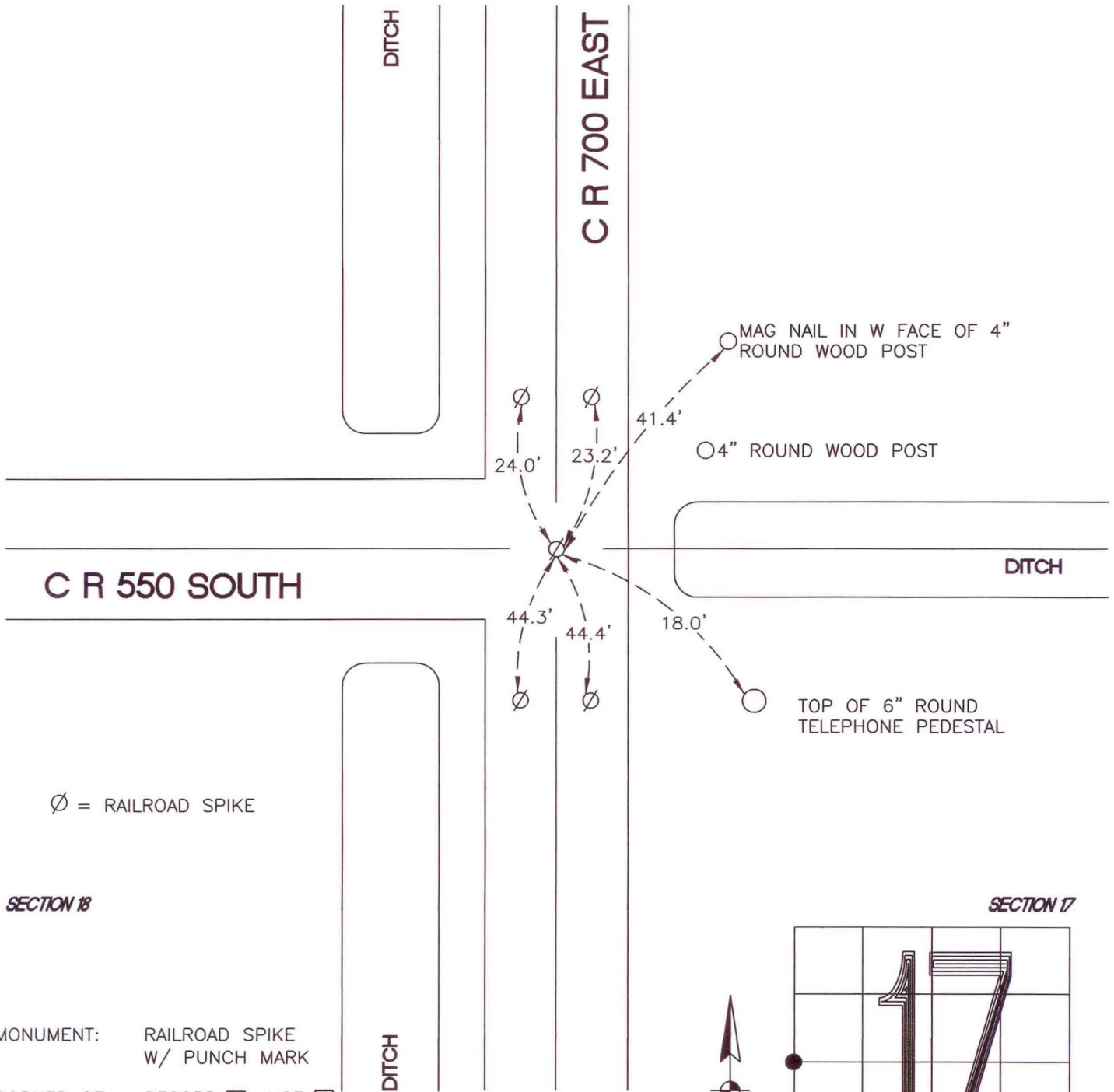
NORTH BEND TOWNSHIP

T 32 N, R 1 W

L5

SECTION 18

SECTION 17



∅ = RAILROAD SPIKE

SECTION 18

SECTION 17

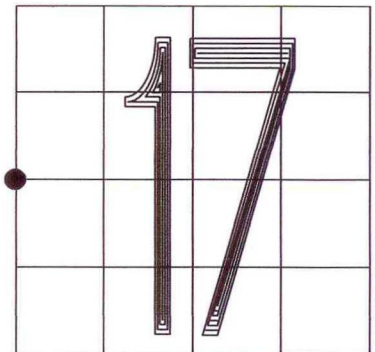
MONUMENT: RAILROAD SPIKE
W/ PUNCH MARK

CORNER OF: RECORD USE

PARTY: DWC/JL

DATE: 11-26-2008

COMMENTS: 1' SOUTH OF C OF 550 SOUTH
SAME SPIKE REFERENCED 11/06/1991
BY D.L.A. L.S.#0537



CORNER LOCATION IN THE SECTION

L5