

WASHINGTON TOWNSHIP

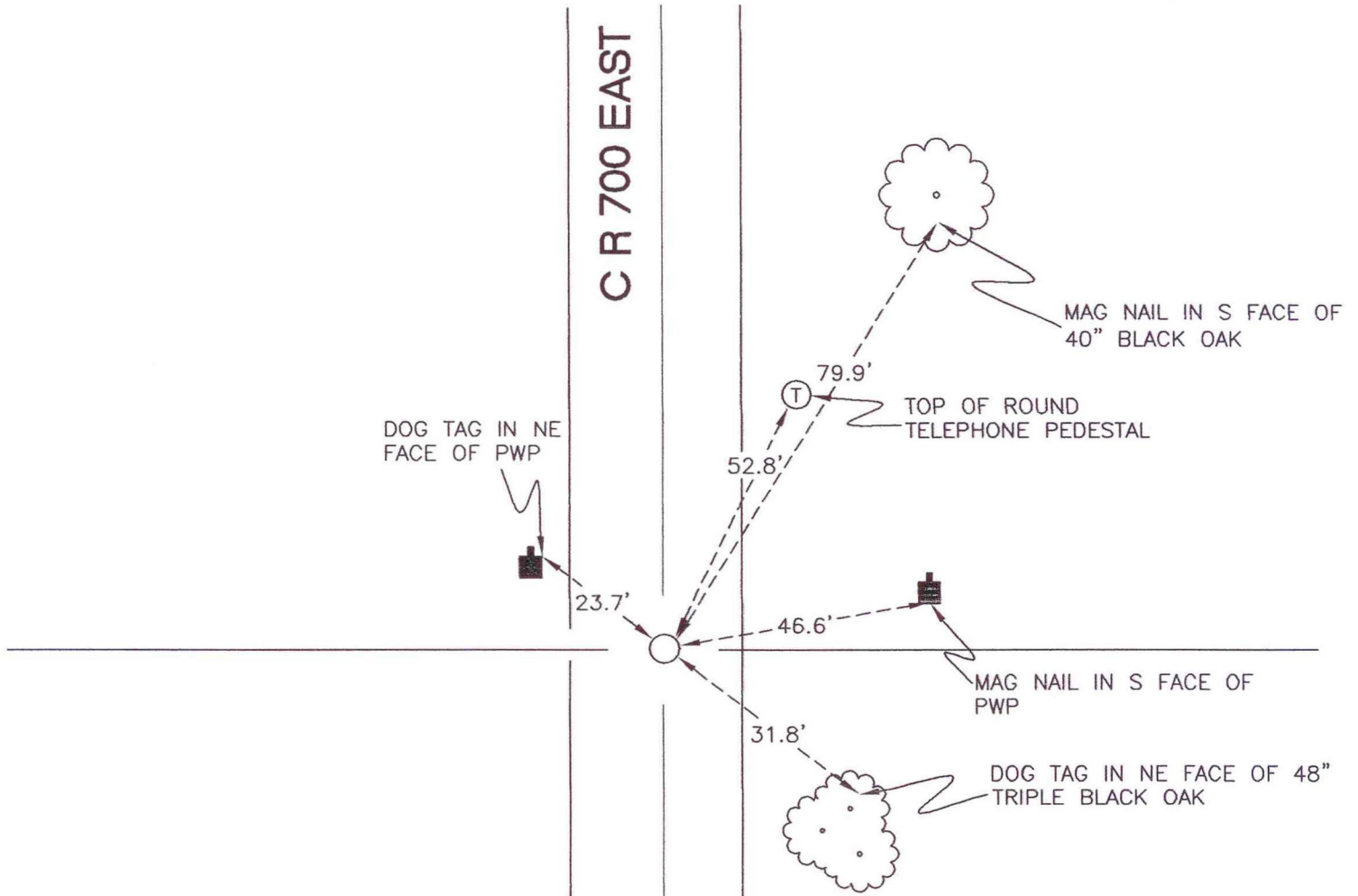
T 33 N, R 1 W

L5

SECTION 18

SECTION 17

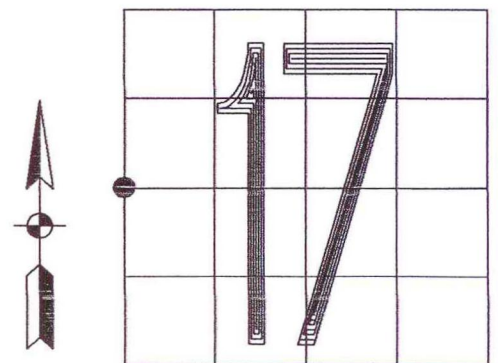
C R 700 EAST



SECTION 18

SECTION 17

MONUMENT: 2" IRON PIPE
CORNER OF: RECORD USE
PARTY: JL/PM
DATE: 11-15-2007
COMMENTS: 1.5' E OF \oslash OF 700E



CORNER LOCATION IN THE SECTION

L5