

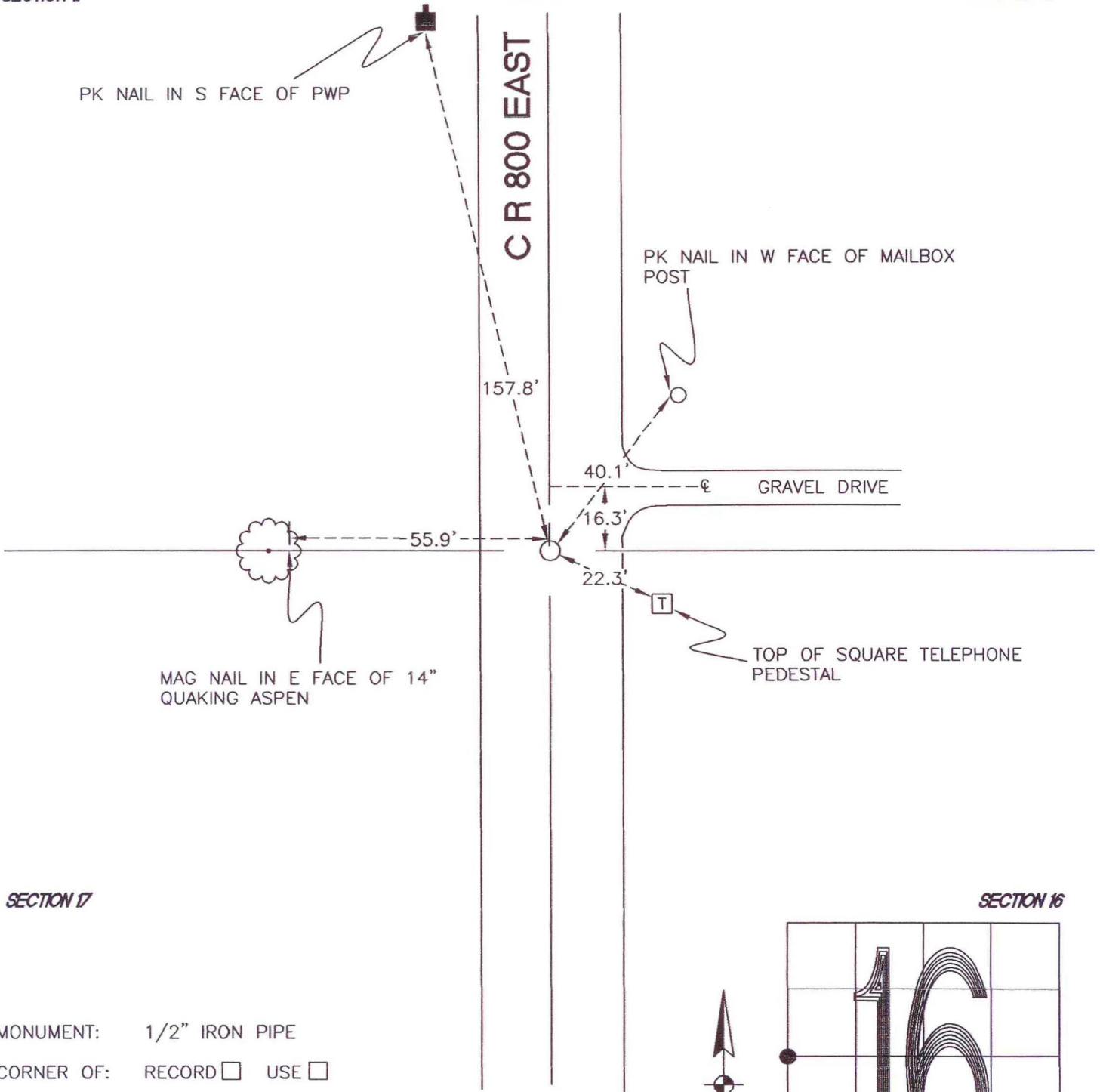
WASHINGTON TOWNSHIP

T 33 N, R 1 W

L9

SECTION 17

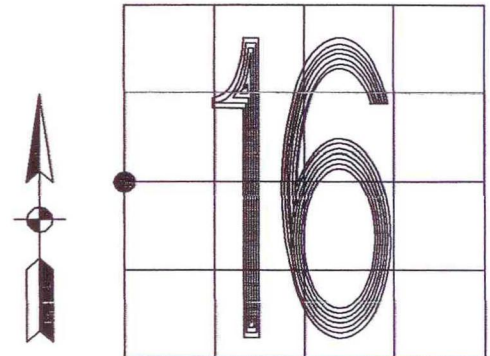
SECTION 16



SECTION 17

SECTION 16

MONUMENT: 1/2" IRON PIPE
CORNER OF: RECORD USE
PARTY: JL/PM
DATE: 11-15-2007
COMMENTS:



CORNER LOCATION IN THE SECTION

L9