

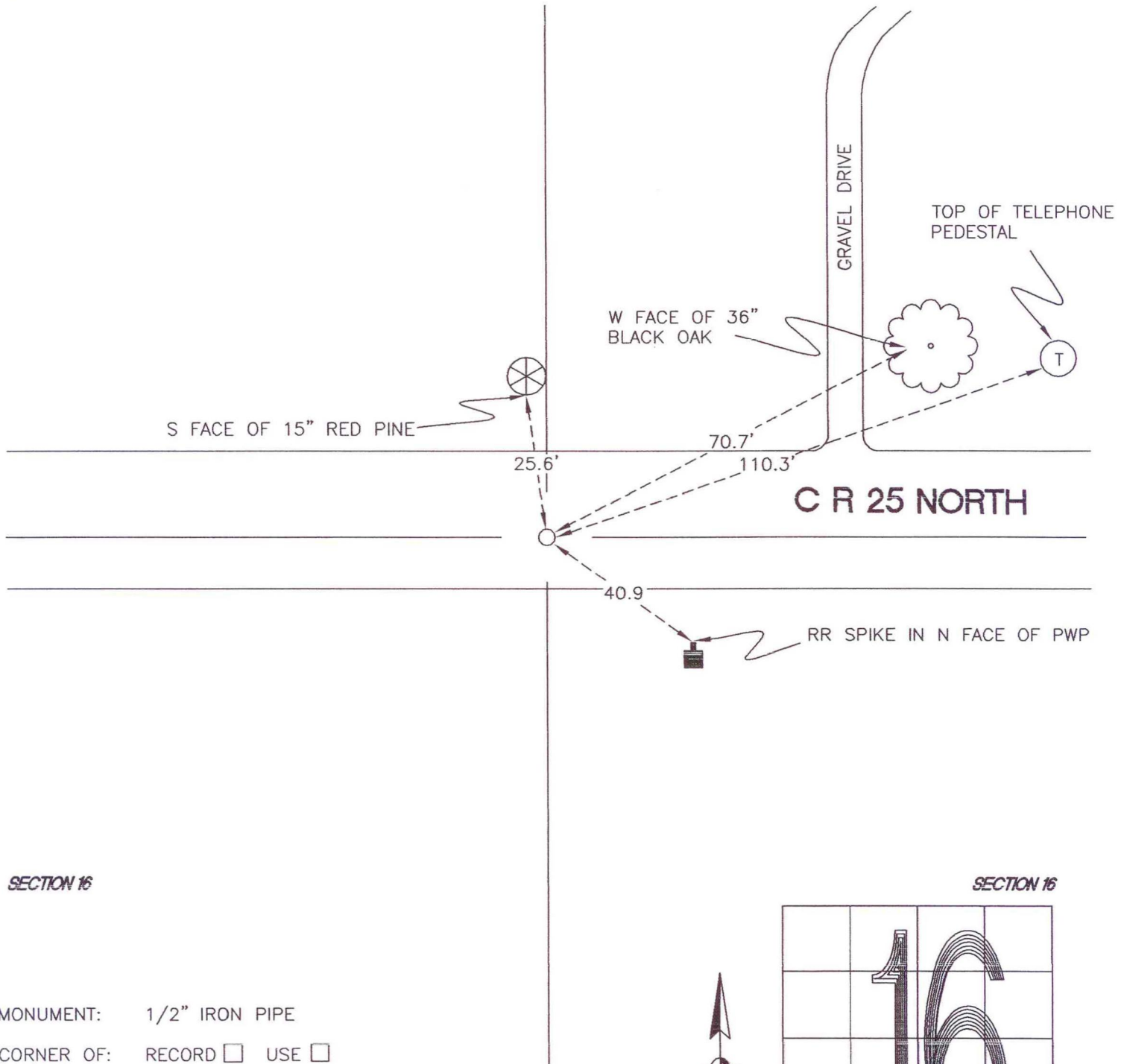
# WASHINGTON TOWNSHIP

T 33 N, R 1 W

## M11

SECTION 16

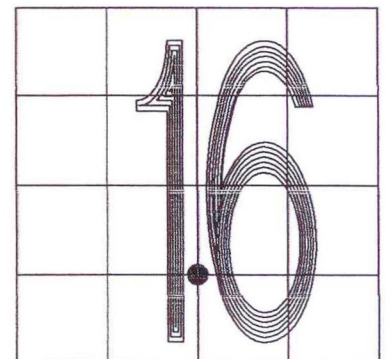
SECTION 16



SECTION 16

SECTION 16

MONUMENT: 1/2" IRON PIPE  
CORNER OF: RECORD  USE   
PARTY: JL/PM  
DATE: 7-16-2007  
COMMENTS: 2" BELOW GRADE; 2.5' S OF  $\text{CL}$  OF CR 25 NORTH.  
IRON PIPE WAS ESTABLISHED BY TERRITORIAL  
ENGINEERING IN 1983 IN JOB # 83S131.



CORNER LOCATION IN THE SECTION

## M11