

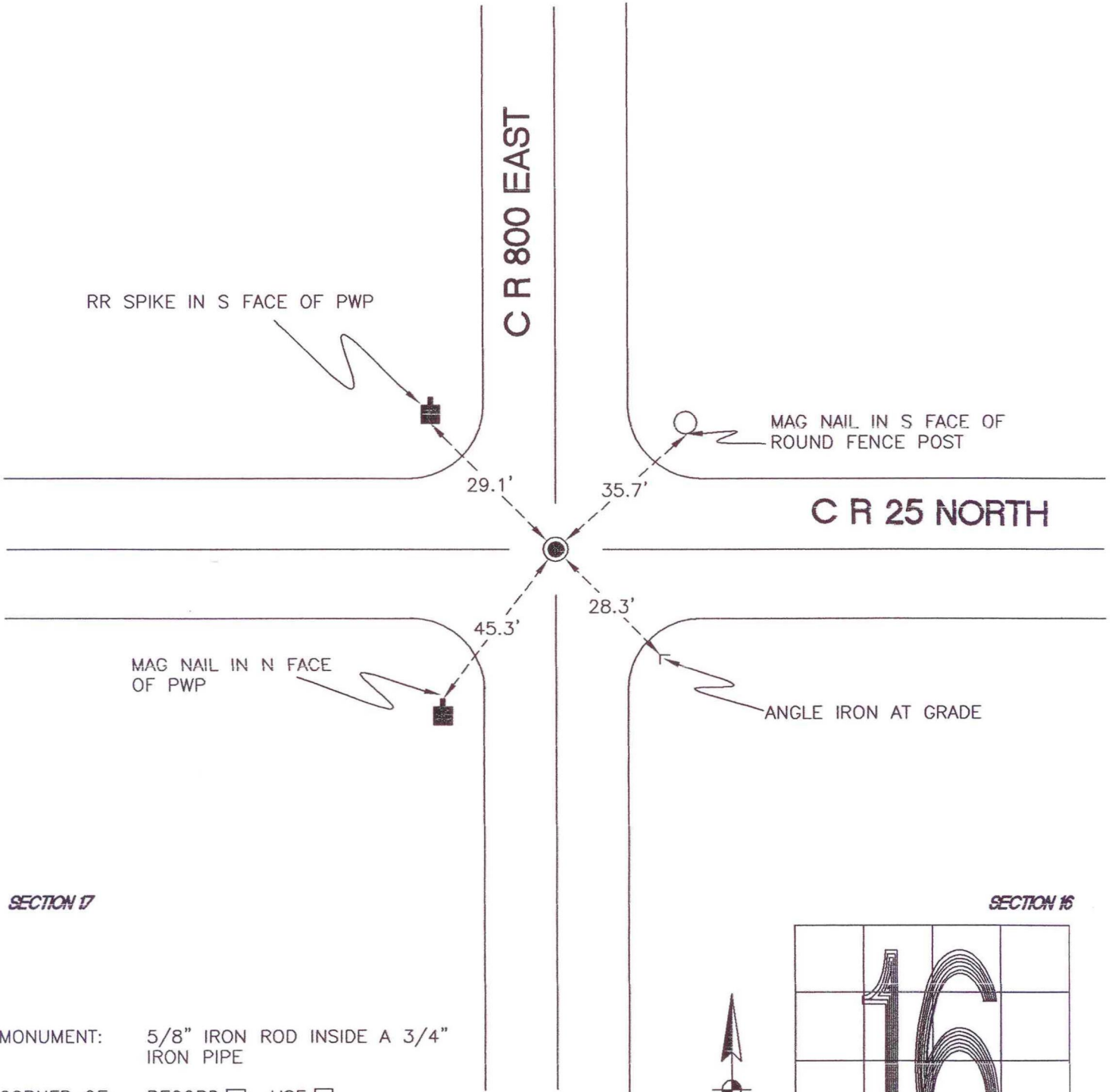
# WASHINGTON TOWNSHIP

T 33 N, R 1 W

## M9

SECTION 17

SECTION 16



SECTION 17

SECTION 16

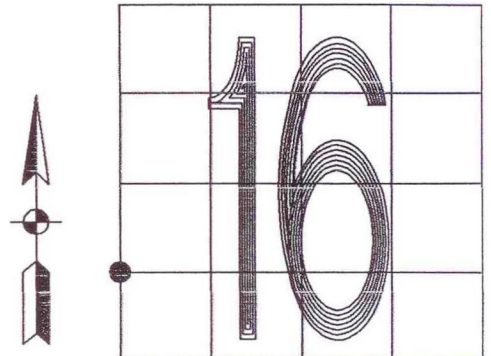
MONUMENT: 5/8" IRON ROD INSIDE A 3/4" IRON PIPE

CORNER OF: RECORD  USE

PARTY: JL/PM

DATE: 7-16-2007

COMMENTS: IRON ROD IS 2" BELOW GRADE; IRON PIPE IS 4" BELOW GRADE.  
MONUMENT ESTABLISHED BY TERRITORIAL ENGINEERING IN 1983 IN SURVEY # 83S131.



# M9