

# NORTH BEND TOWNSHIP

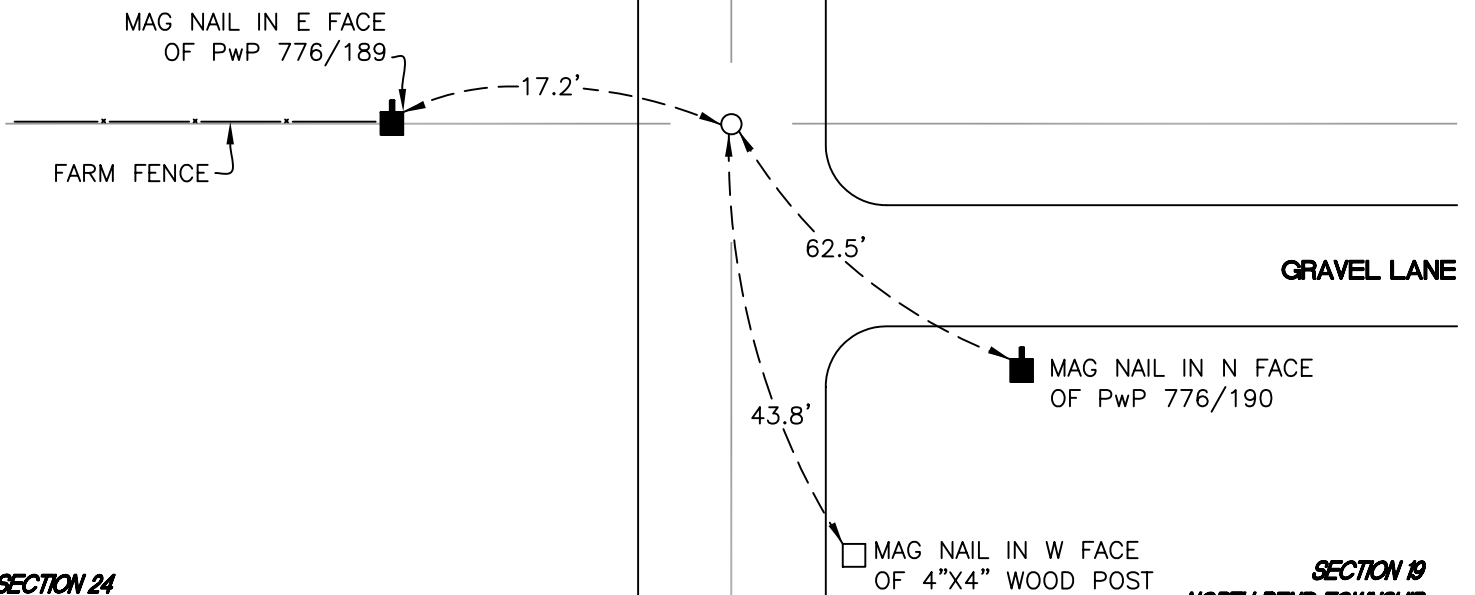
T 32 N, R 1 W

## N1

SECTION 13  
CALIFORNIA TOWNSHIP

SECTION 18  
NORTH BEND TOWNSHIP

C R 600 EAST



SECTION 24  
CALIFORNIA TOWNSHIP

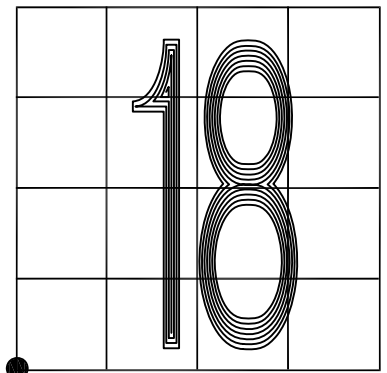
SECTION 19  
NORTH BEND TOWNSHIP

MONUMENT: 2" IRON PIPE

PARTY: VHJ/JL

DATE: 2/12/2013

COMMENTS: FOUND BY DWC/JL IN 2008.  
STONE FOUND IN 1981 BY VHJ  
AND JBS NOT SEARCHED FOR IN 2008  
OR 2013.



CORNER LOCATION IN THE SECTION

## N1