

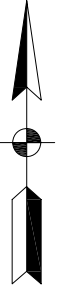
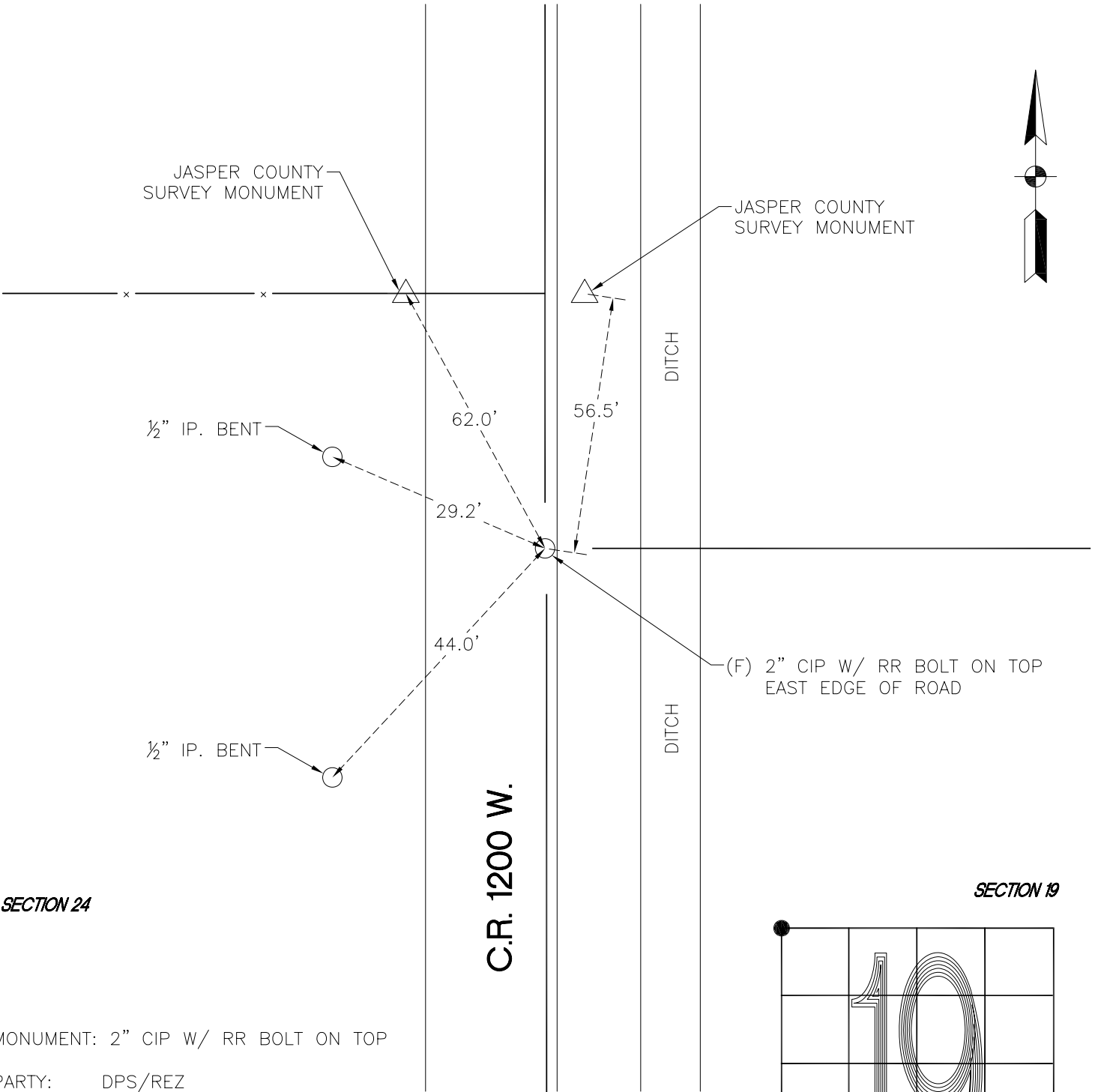
RAILROAD TOWNSHIP

T 32 N, R 4 W

N1

SECTION 13

SECTION 18



SECTION 24

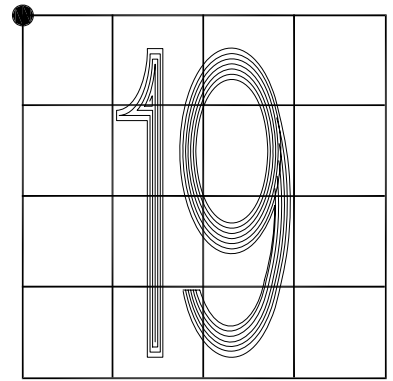
SECTION 19

MONUMENT: 2" CIP W/ RR BOLT ON TOP

PARTY: DPS/REZ

DATE: 2015

COMMENTS: FOUND BY: RLP 6-28-1984
FOUND BY: SJF 1985
MONUMENT LOCATED ON EAST SIDE OF C.R. 1200 W.



CORNER LOCATION IN THE SECTION

N1