

# CALIFORNIA TOWNSHIP

T 32 N, R 2 W

## N1

SE COR. OF R/W  
MARKER AT GRADE



RANGE RD.

WAYNE TWP.  
SECTION 13

CALIFORNIA TWP.  
SECTION 18

STATE RD. 10

SECTION 24  
WAYNE TWP.

SECTION 19  
CALIFORNIA TWP.

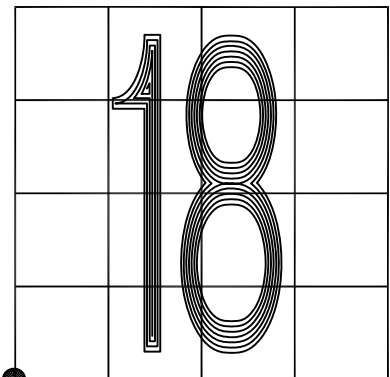
MONUMENT: NONE

CORNER OF: RECORD  USE

PARTY: VHJ/JL

DATE: 2/13/13

COMMENTS: RAILROAD SPIKE MONUMENT FOUND IN 2003  
BY VHJ/DWC/BJ DESTROYED BY REPAVING.  
NOT RESET BY INDOT. ONLY ONE  
REFERENCE LEFT.



CORNER LOCATION IN THE SECTION

## N1