

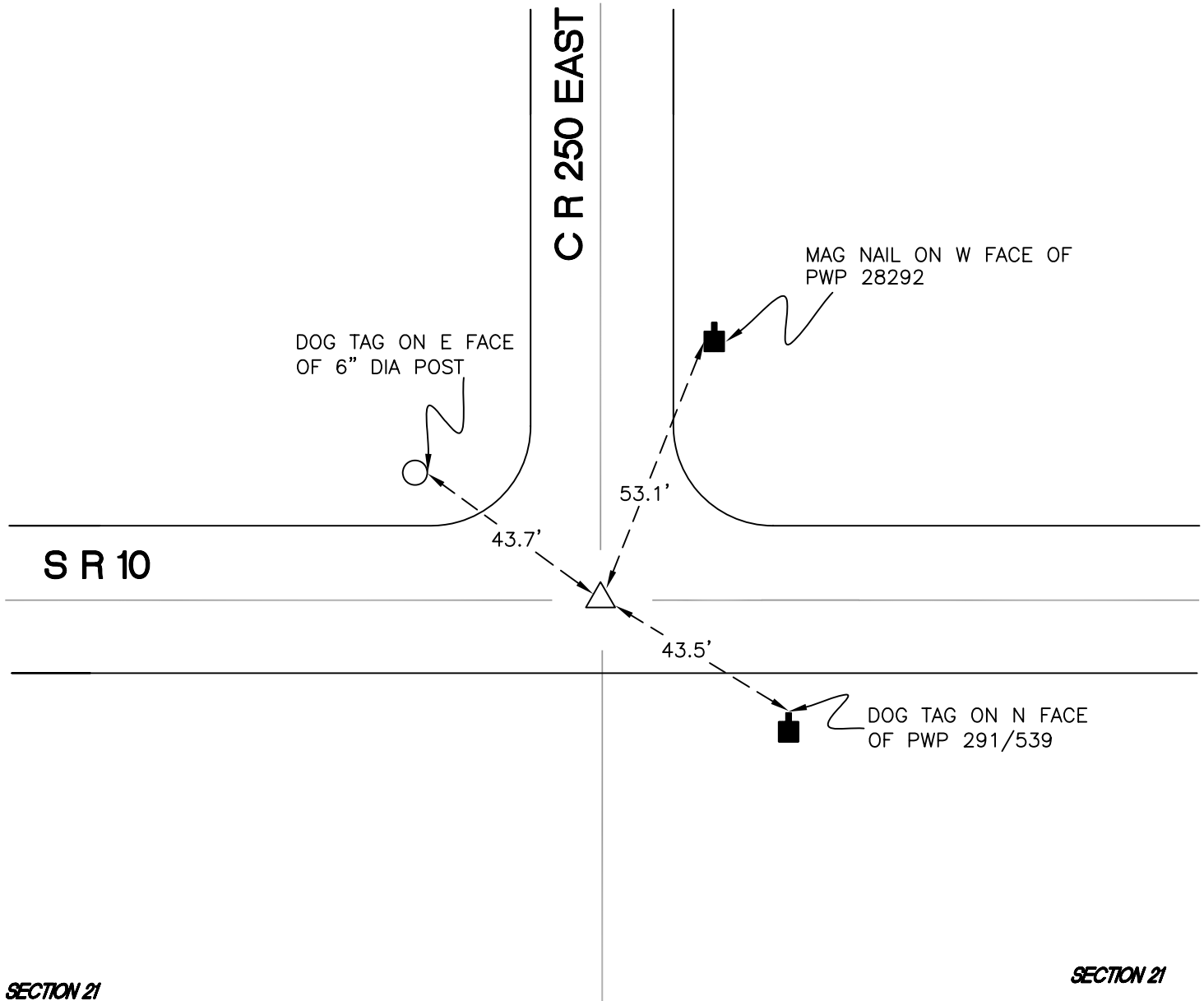
# CALIFORNIA TOWNSHIP

T 32 N, R 2 W

## N11

SECTION 16

SECTION 16

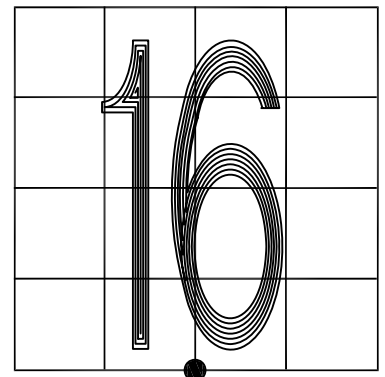


MONUMENT: HARRISON MONUMENT

PARTY: VHJ/JL

DATE: 2/7/2013

COMMENTS: SET BY INDOT AFTER REPAVING.  
REPLACES CROSSING BOLT SET IN  
1991 BY DWC/AW.



CORNER LOCATION IN THE SECTION

## N11