

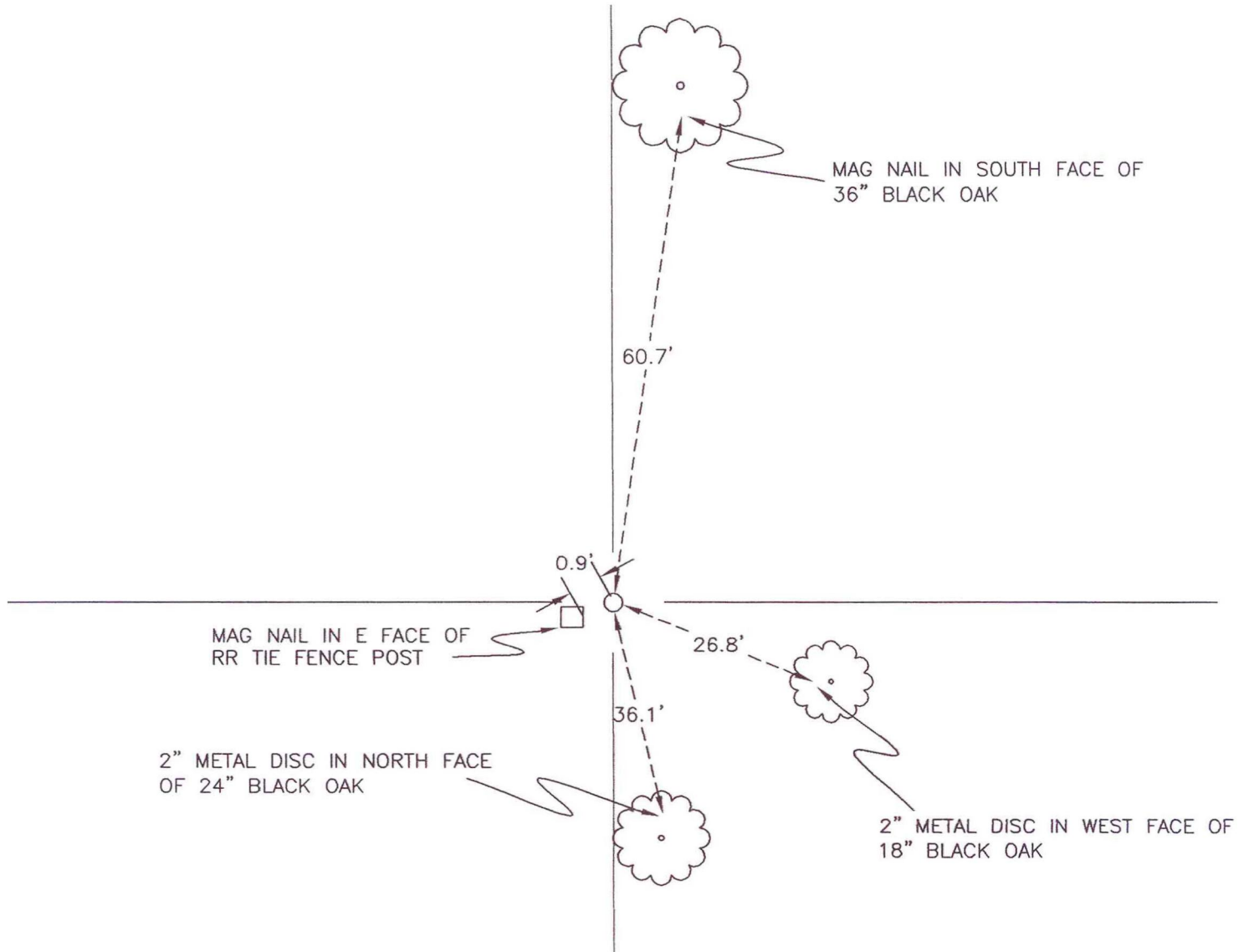
WASHINGTON TOWNSHIP

T 33 N, R 1 W

N11

SECTION 16

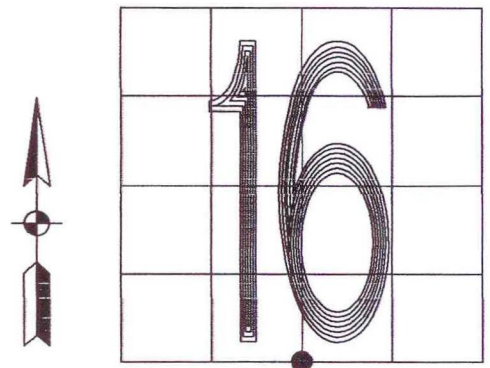
SECTION 16



SECTION 21

SECTION 21

MONUMENT: 1/2 INCH IRON PIPE
CORNER OF: RECORD USE
PARTY: JL/PM
DATE: 11-6-2007
COMMENTS: LOCATED 1/4 MILE S OF CR 25 N



CORNER LOCATION IN THE SECTION

N11