

CALIFORNIA TOWNSHIP

T 32 N, R 2 W

N13

SECTION 16

SECTION 15

CR 300 EAST

SR 10

DOG TAG ON W FACE OF
BRACE POLE

67.1'

MAG NAIL ON W FACE OF 4'
HIGH, 8" DIA. POST

48.6'

DOG TAG ON N FACE OF
PWP 291/526

43.8'

44.9'

CENTER OF FIBEROPTIC MARKER

SECTION 21

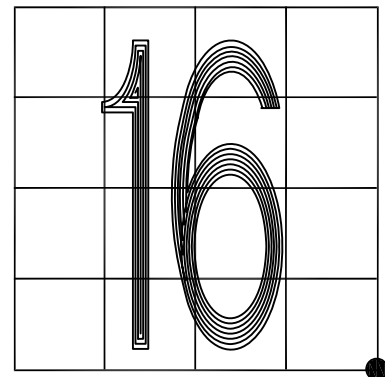
SECTION 22

MONUMENT: HARRISON MONUMENT

PARTY: VHJ/JL

DATE: 2/7/2013

COMMENTS: SET BY INDOT AFTER REPAVING.
REPLACES CROSSING BOLT SET IN
1991 BY DWC/AW.



CORNER LOCATION IN THE SECTION

N13