

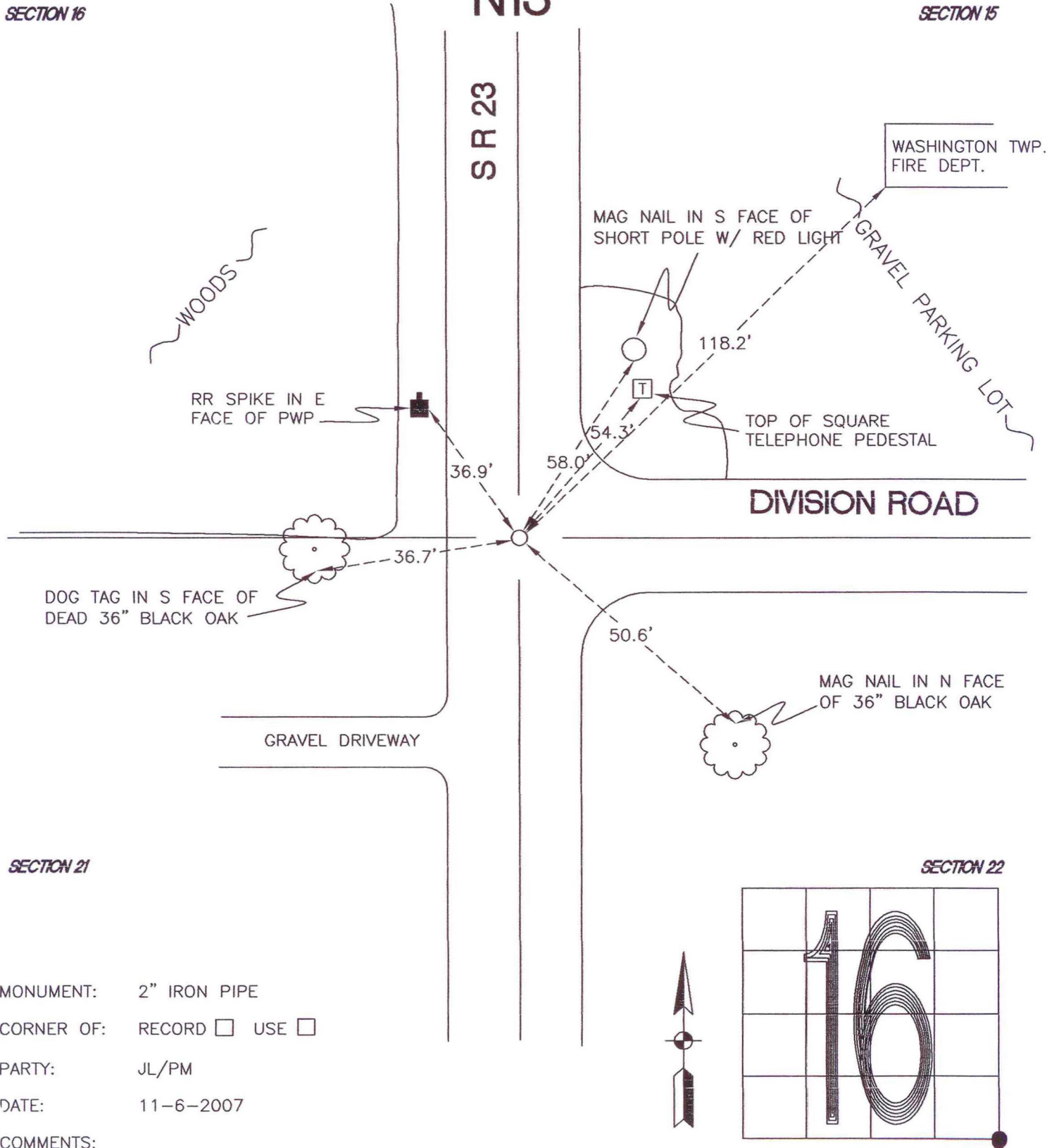
# WASHINGTON TOWNSHIP

T 33 N, R 1 W

## N13

SECTION 16

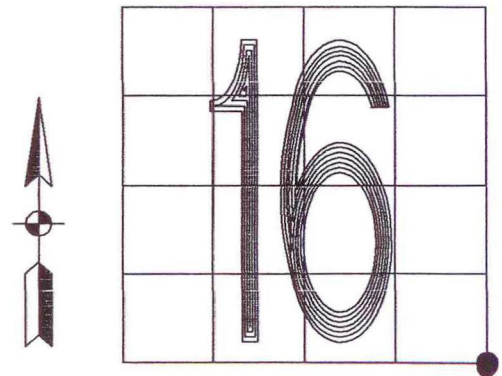
SECTION 15



SECTION 21

SECTION 22

MONUMENT: 2" IRON PIPE  
CORNER OF: RECORD  USE   
PARTY: JL/PM  
DATE: 11-6-2007  
COMMENTS:



CORNER LOCATION IN THE SECTION

# N13