

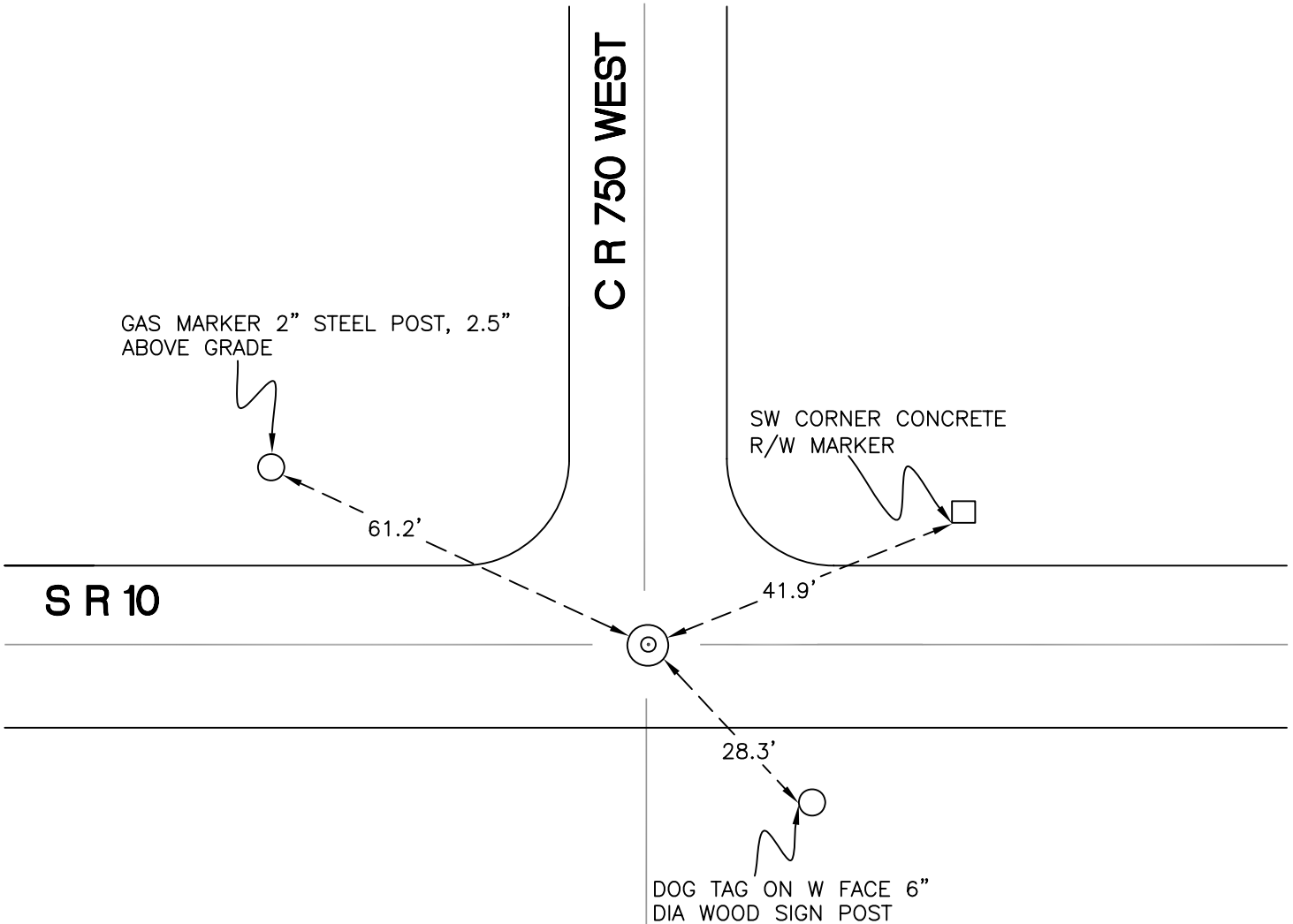
# RAILROAD TOWNSHIP

T 32 N, R 4 W

## N19

SECTION 14

SECTION 14



SECTION 23

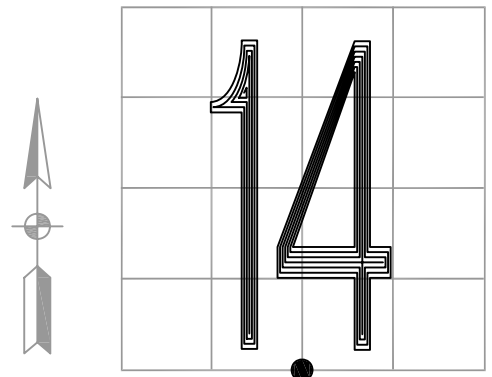
SECTION 23

MONUMENT: CARRIAGE BOLT IN MONUMENT BOX

PARTY: DPS/REZ

DATE: 2015

COMMENTS: RR SPIKE REPLACED WITH BOLT IN 1991 BY AW/DWC. MONUMENT IS 0.4' BELOW GRADE.



## N19