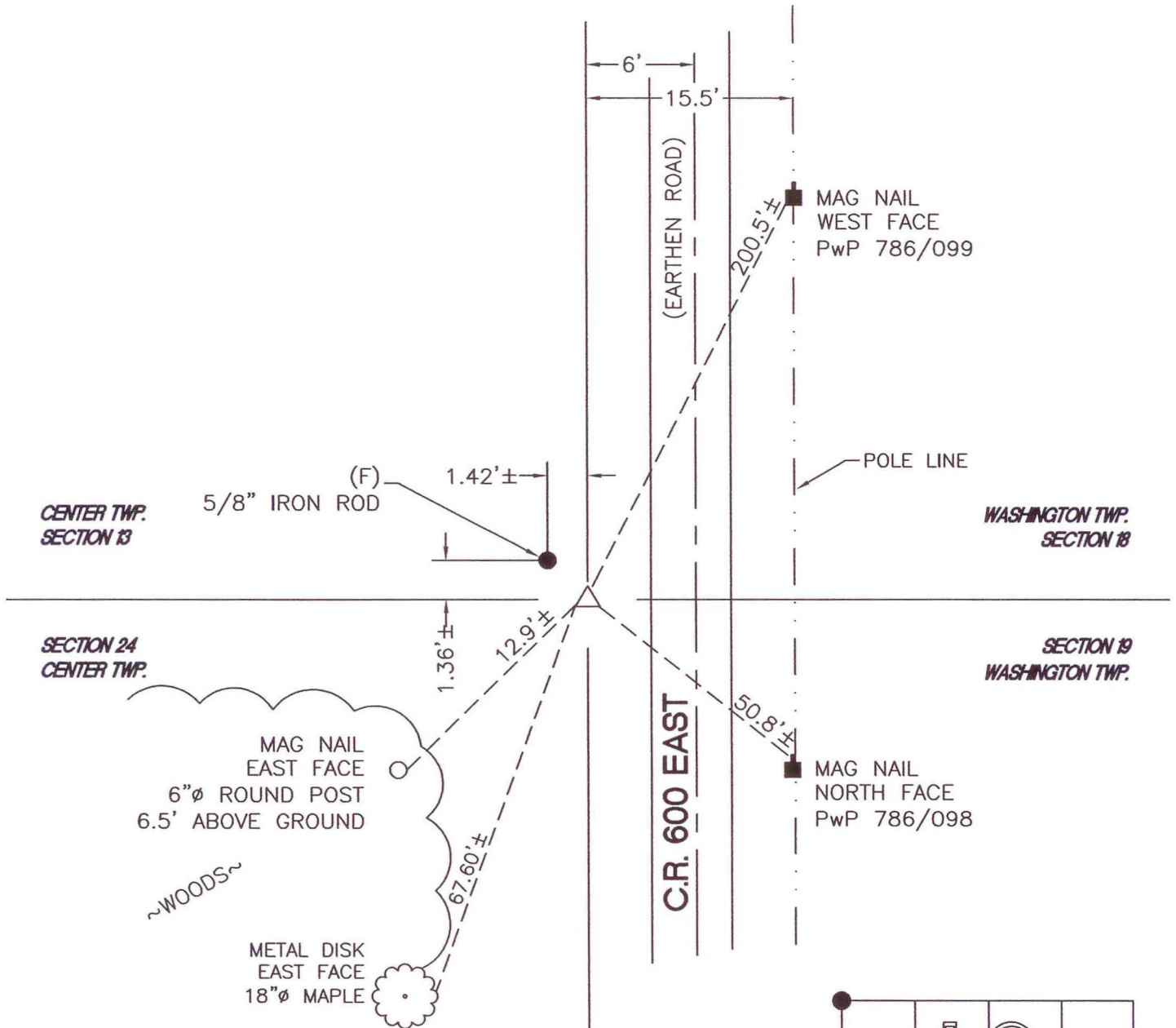


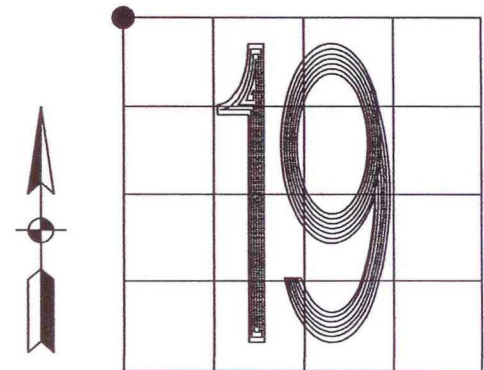
WASHINGTON TOWNSHIP

T 33 N, R 1 W



MONUMENT: (F) 3/4" PINCH PIPE
 CORNER OF: RECORD USE
 PARTY: DPS/JL
 DATE: 8-15-06
 COMMENTS:

INDEX NUMBER
N1



CORNER LOCATION IN THE SECTION