

# DAVIS TOWNSHIP

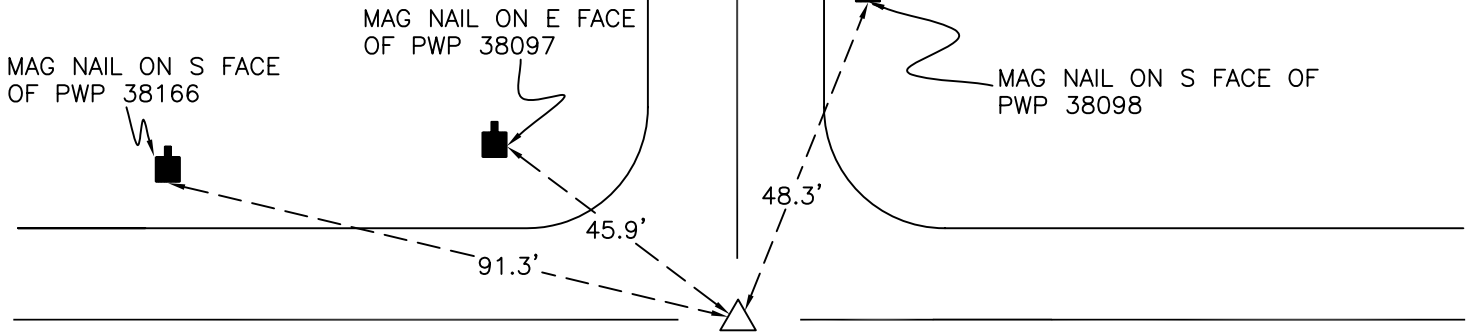
T 34 N, R 2 W

## N1

*SECTION 13*  
*T 34 N, R 3 W*

*SECTION 18*

RANGE ROAD



C R 600 NORTH

*SECTION 24*  
*T 34 N, R 3 W*

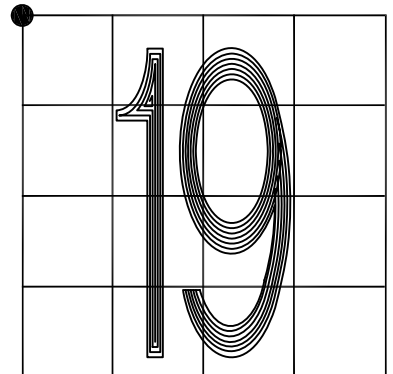
*SECTION 19*

MONUMENT: HARRISON MONUMENT

PARTY: DPS/JL

DATE: 5-12-16

COMMENTS: CETA FOUND WELL POINT IN 1077. SCT/KDC  
PLACED HARRISON OVER WELL POINT IN 1989.



CORNER LOCATION IN THE SECTION

## N1