

OREGON TOWNSHIP

T 34 N, R 1 W

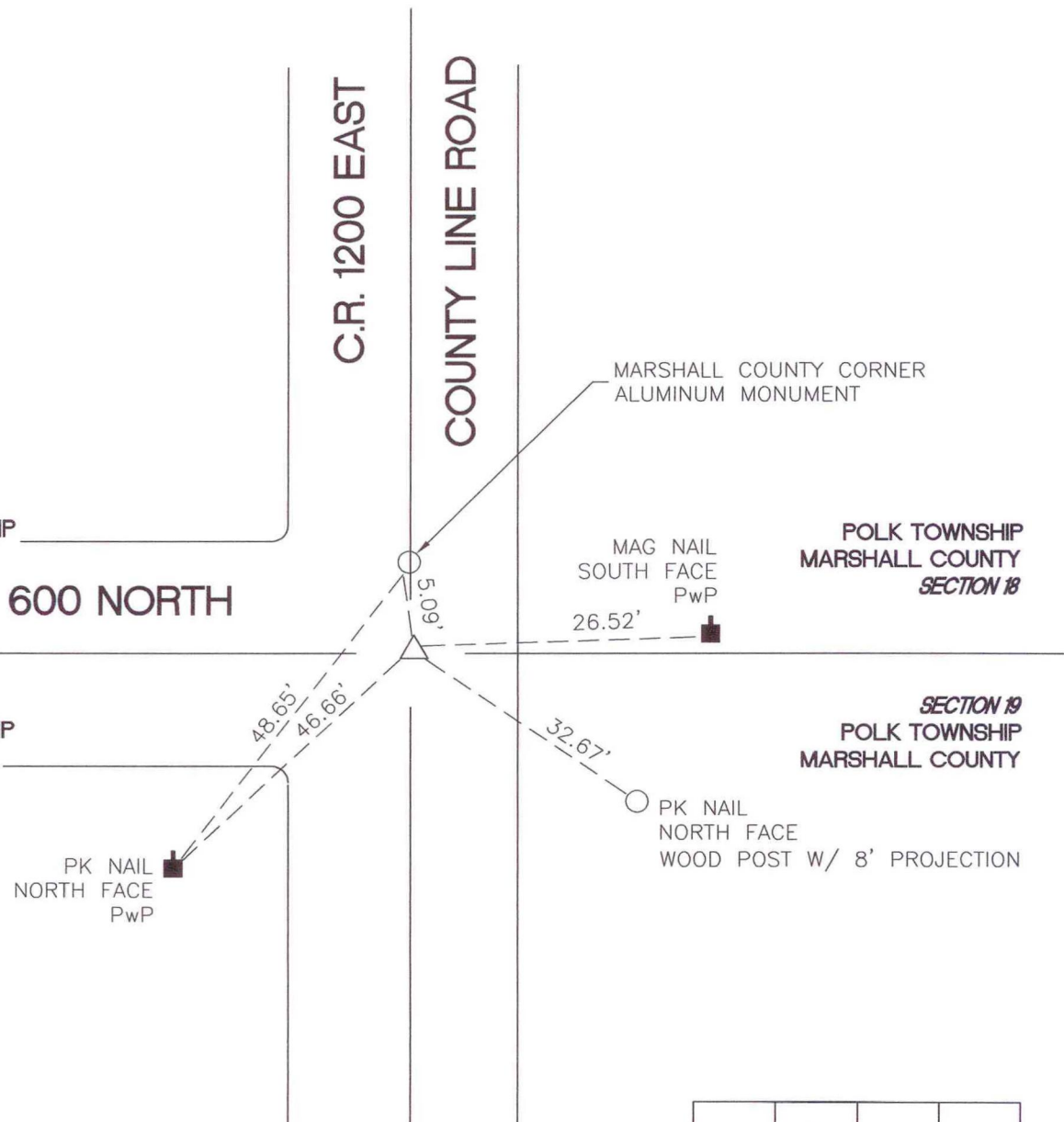
C.R. 1200 EAST
COUNTY LINE ROAD

OREGON TOWNSHIP
STARKE COUNTY
SECTION 13
C.R. 600 NORTH

SECTION 24
OREGON TOWNSHIP
STARKE COUNTY

POLK TOWNSHIP
MARSHALL COUNTY
SECTION 18

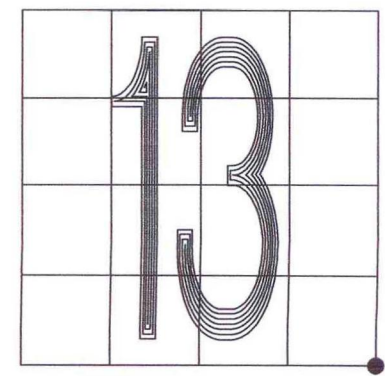
SECTION 19
POLK TOWNSHIP
MARSHALL COUNTY



MONUMENT: (F) ALUM MONUMENT W/ 2" CIP
 CORNER OF: RECORD USE
 PARTY: VHJ/COD
 DATE: 3-31-05

COMMENTS:
 HISTORY: RLP OF STARKE CO.
 SURVEYOR'S OFFICE FOUND X-BOLT
 INSIDE 2" CIP ON OCTOBER 4, 1984.

INDEX NUMBER
N25



CORNER LOCATION IN THE SECTION