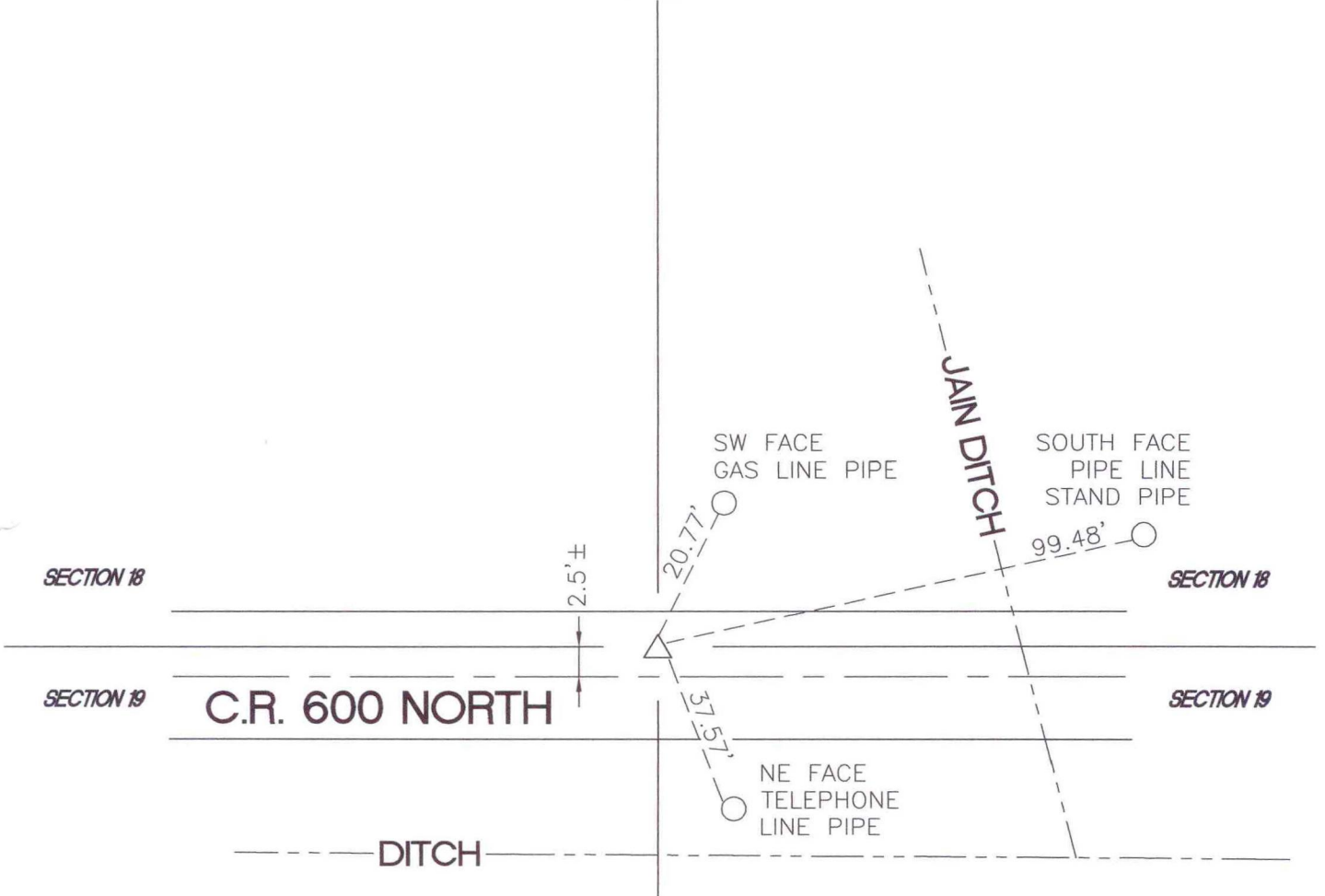


OREGON TOWNSHIP
T 34 N, R 1 W
N3



MONUMENT: (SEE COMMENTS)

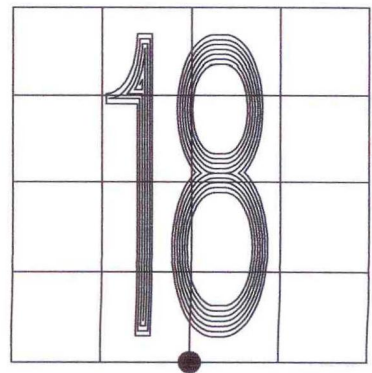
CORNER OF: RECORD USE

PARTY: VHJ / COD

DATE: 3-21-05

COMMENTS:

(F) 3/8" IRON BAR 5" BELOW GRADE AND
SET 3/4" IRON PIPE OVER ROD FLUSH



CORNER LOCATION IN THE SECTION