

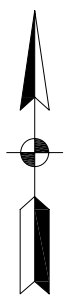
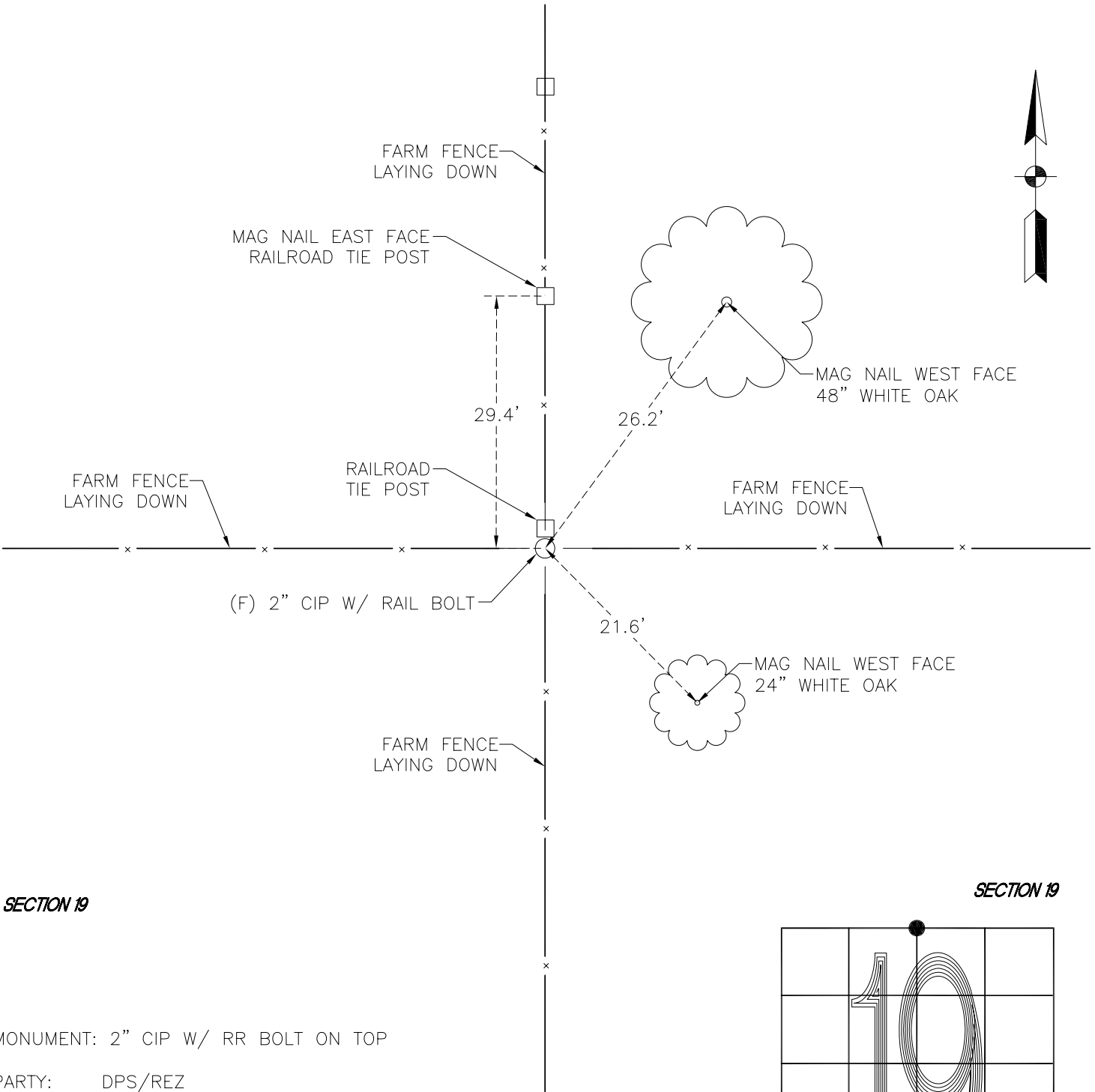
RAILROAD TOWNSHIP

T 32 N, R 4 W

N3

SECTION 18

SECTION 18



SECTION 19

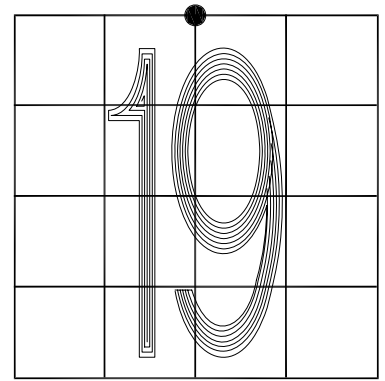
SECTION 19

MONUMENT: 2" CIP W/ RR BOLT ON TOP

PARTY: DPS/REZ

DATE: 2015

COMMENTS: FOUND BY: VHJ 1985



CORNER LOCATION IN THE SECTION

N3