

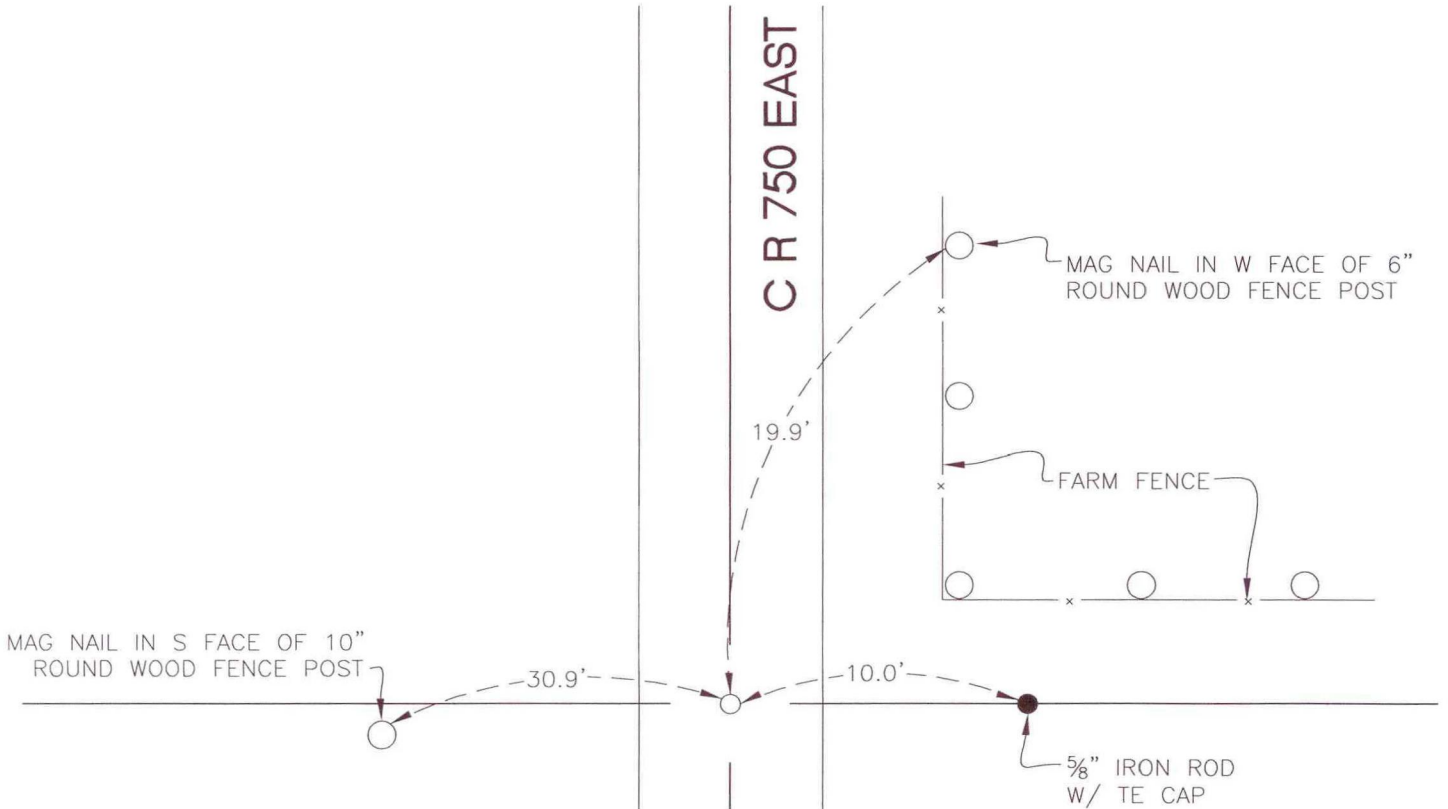
NORTH BEND TOWNSHIP

T 32 N, R 1 W

N7

SECTION 17

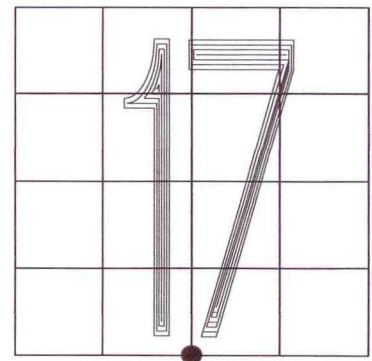
SECTION 17



SECTION 20

SECTION 20

MONUMENT: 1½" IRON PIPE
CORNER OF: RECORD USE
PARTY: DWC/JL
DATE: 11-26-2008
COMMENTS:



CORNER LOCATION IN THE SECTION

N7