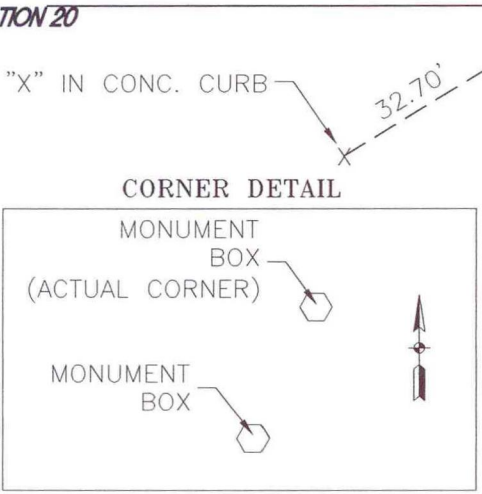
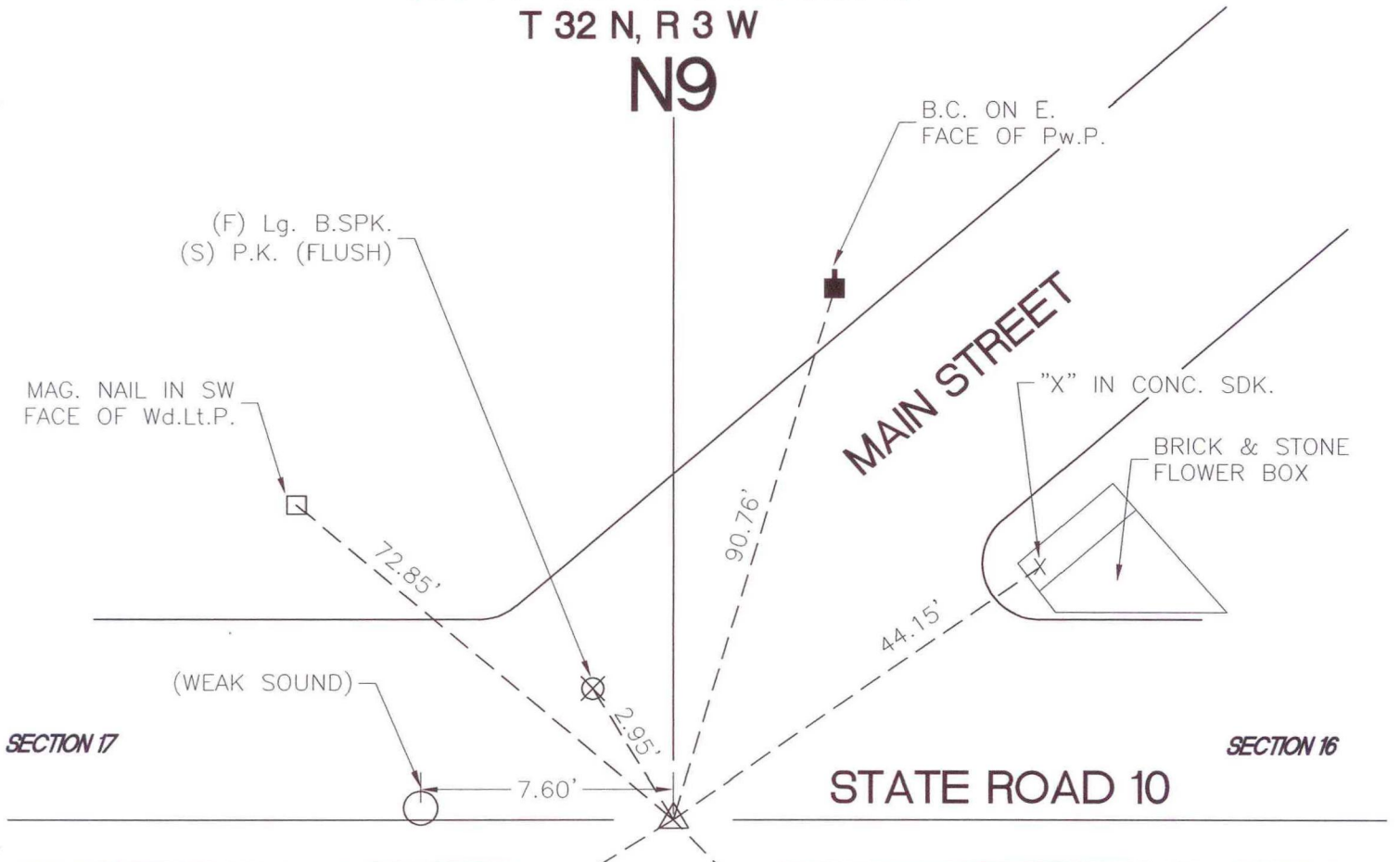


# WAYNE TOWNSHIP

T 32 N, R 3 W

## N9



MONUMENT: (F) 1/2" I.P.I.P.E. (FLUSH)

CORNER OF: RECORD  USE

PARTY: VHJ, DWC, BJ

DATE: 3/12/03

COMMENTS: 1/2" PIPE WAS SET OVER 1-1/2" IRON PIPE WITH CROSSING BOLT ON TOP AS PER PREVIOUS REFERENCE JULY, 1982 1-1/2" I.P.I.P.E. (1.5'±) FITS C.E. PAUL SURVEY STATE RECORDS "E" PAGE 67

