

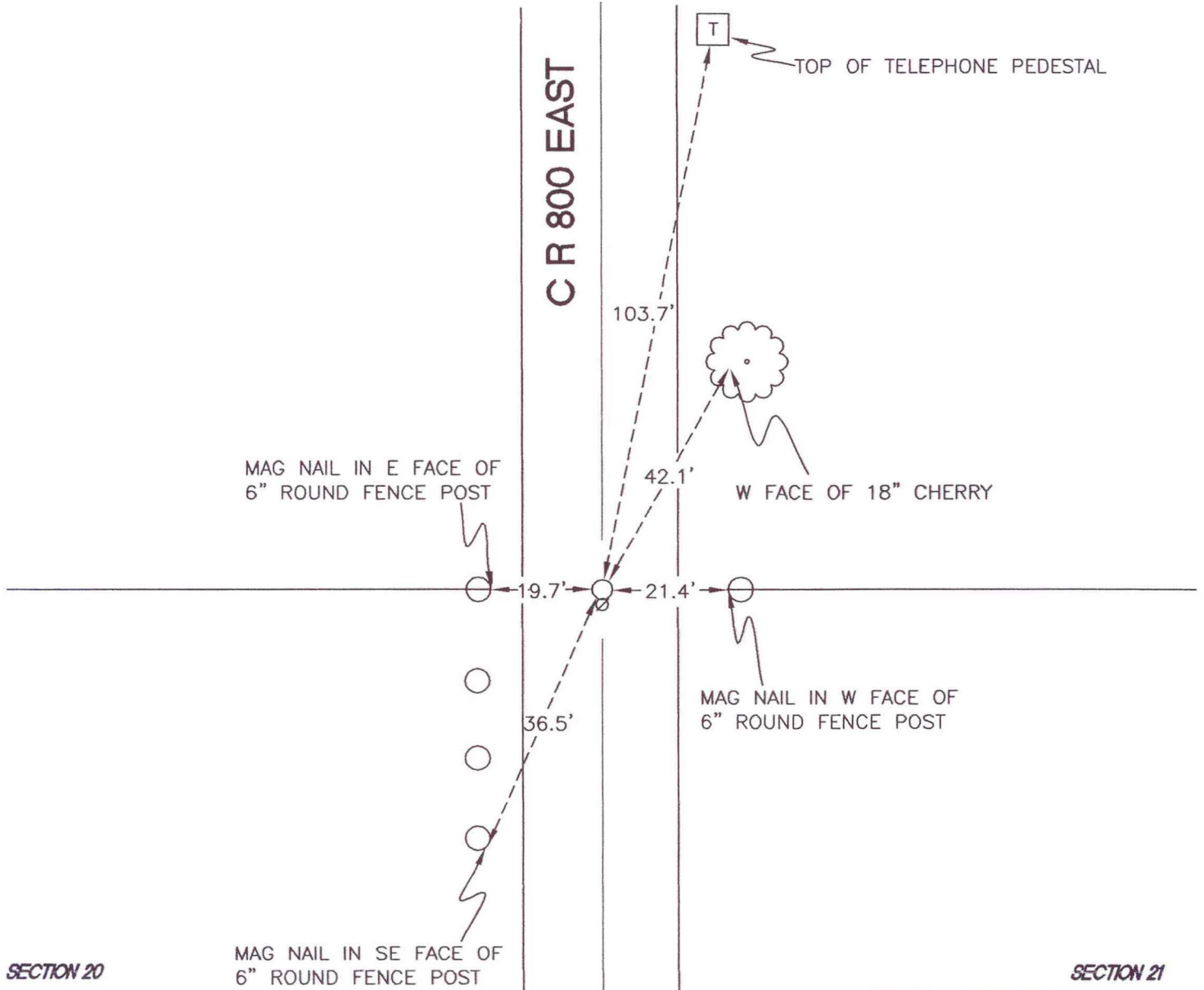
WASHINGTON TOWNSHIP

T 33 N, R 1 W

N9

SECTION 17

SECTION 16

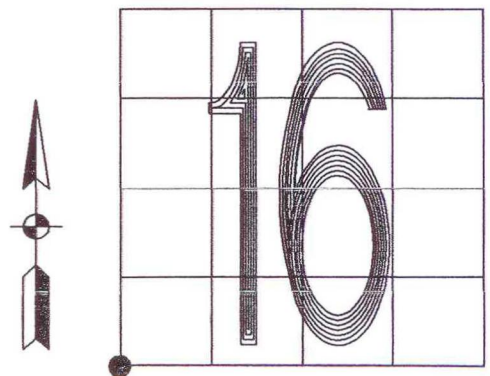


SECTION 20

SECTION 21

MONUMENT: 3/8" IRON PIPE
CORNER OF: RECORD USE
PARTY: JL/PM
DATE: 7-16-2007

COMMENTS: 8" BELOW GRADE.
RR SPIKE 0.1" S OF IRON PIPE AT
SAME LEVEL.
CORNER ESTABLISHED BY TERRITORIAL
ENGINEERING IN SURVEY # 83S131.



CORNER LOCATION IN THE SECTION

N9