

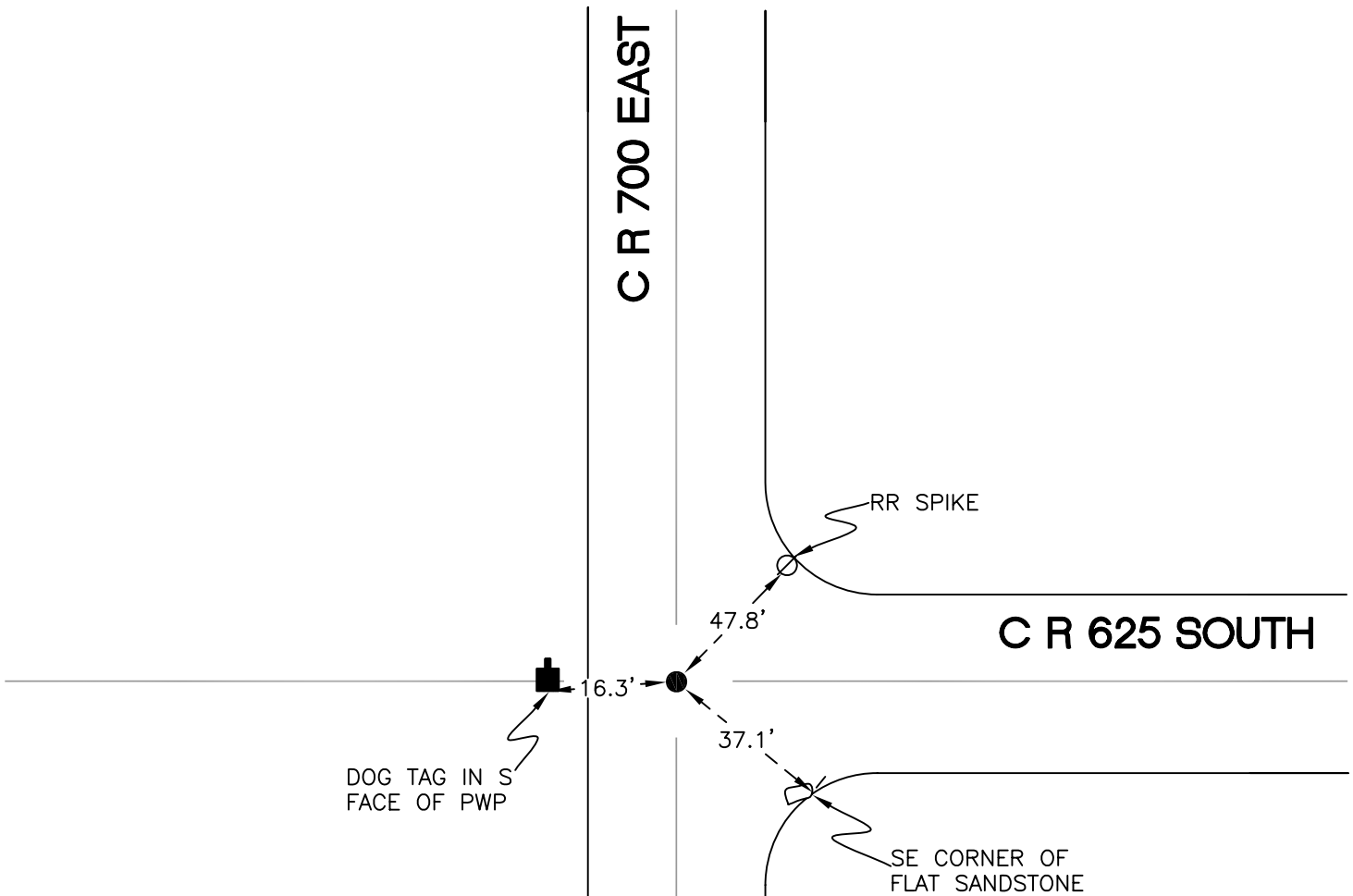
# NORTH BEND TOWNSHIP

T 32 N, R 1 W

## O5

SECTION 19

SECTION 20



SECTION 19

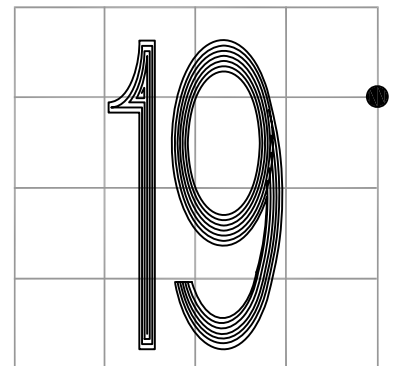
SECTION 20

MONUMENT:  $\frac{5}{8}$ " IRON ROD

PARTY: DPS/JL/AO

DATE: 6/4/12

COMMENTS: MONUMENT IS 1' W OF  $\phi$  OF 700 E.  
RR SPIKE FOUND BY REH IN 1992 AND  
DWC/BEW IN 1990 WHEN RR SPIKE WAS  
REPLACED WITH  $\frac{5}{8}$ " IRON ROD.



CORNER LOCATION IN THE SECTION

## O5