

RAILROAD TOWNSHIP

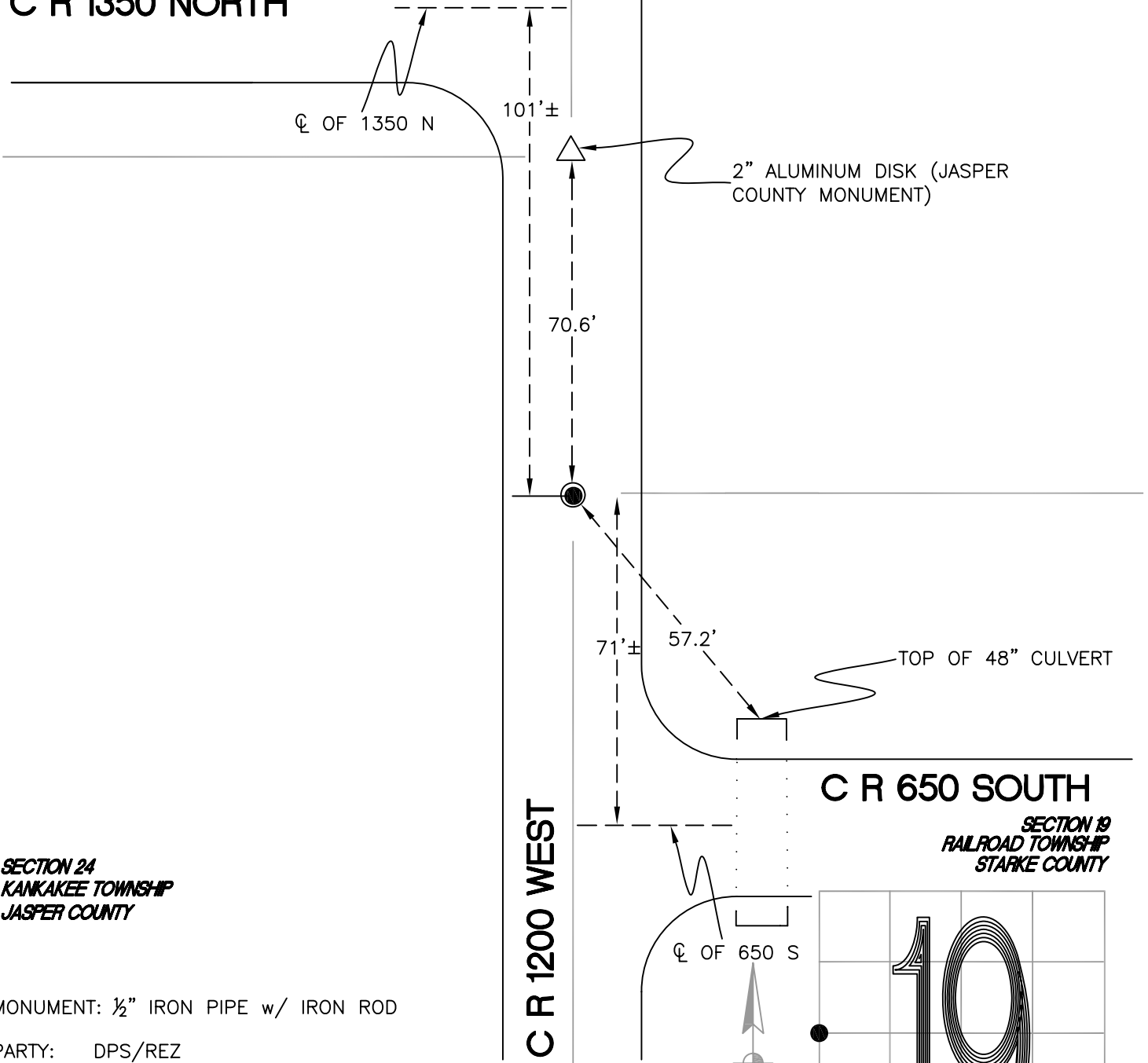
T 32 N, R 4 W

P1

SECTION 24
KANKAKEE TOWNSHIP
JASPER COUNTY

SECTION 19
RAILROAD TOWNSHIP
STARKE COUNTY

C R 1350 NORTH



SECTION 24
KANKAKEE TOWNSHIP
JASPER COUNTY

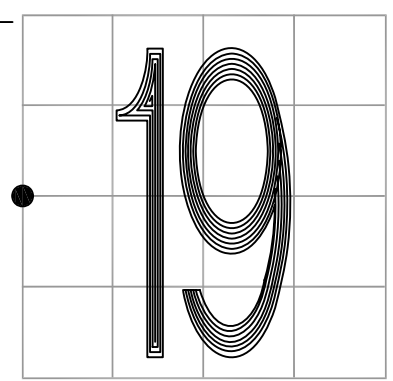
SECTION 19
RAILROAD TOWNSHIP
STARKE COUNTY

MONUMENT: 1/2" IRON PIPE w/ IRON ROD

PARTY: DPS/REZ

DATE: 2015

COMMENTS: MONUMENT IS 0.8' BELOW GRADE AND 2' W OF E EDGE OF 1200 W. SET BY VHJ IN 1985. FOUND BY VHJ IN 1985.



CORNER LOCATION IN THE SECTION

P1