

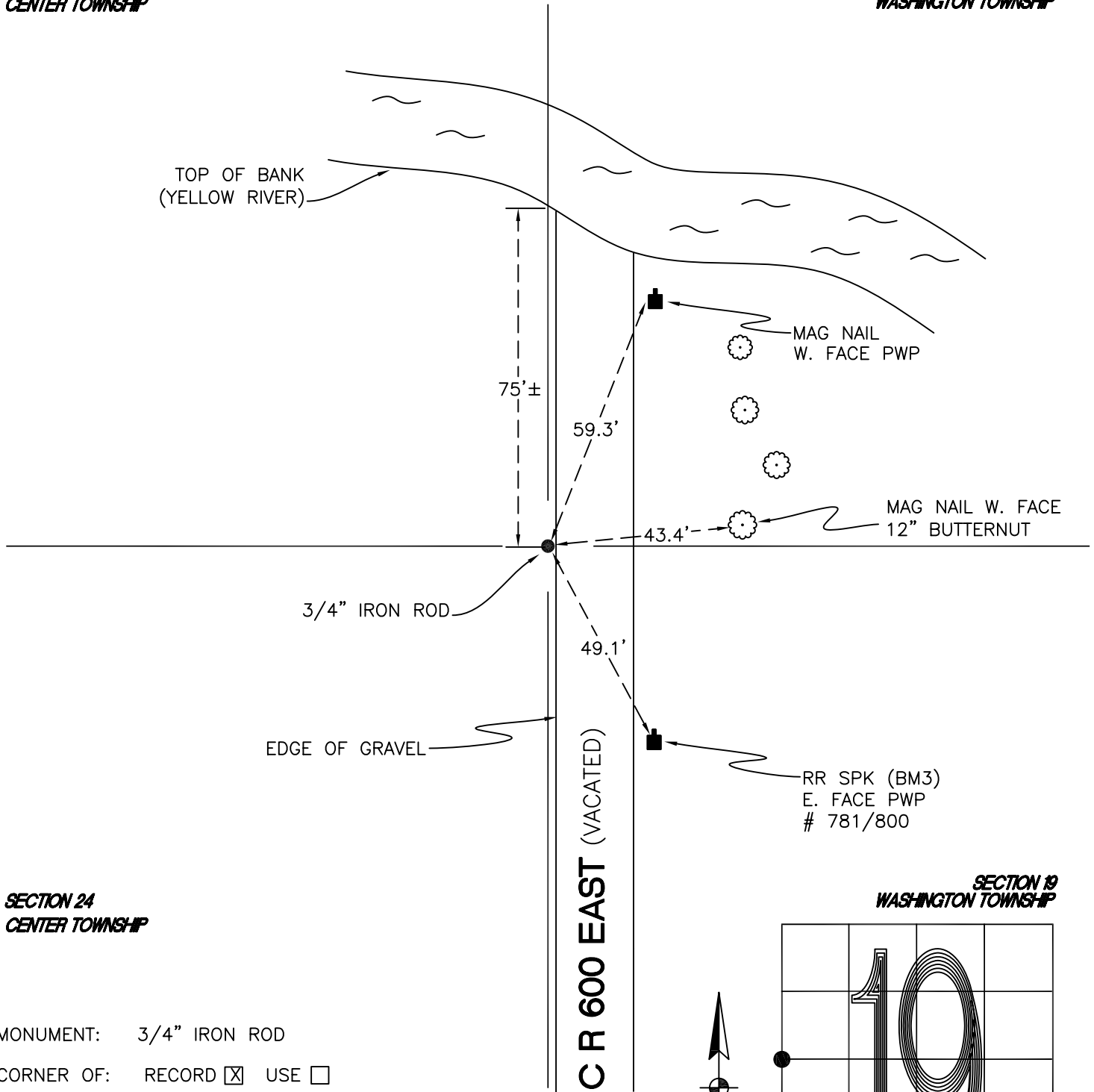
WASHINGTON TOWNSHIP

T 33 N, R 1 W

P1

SECTION 24
CENTER TOWNSHIP

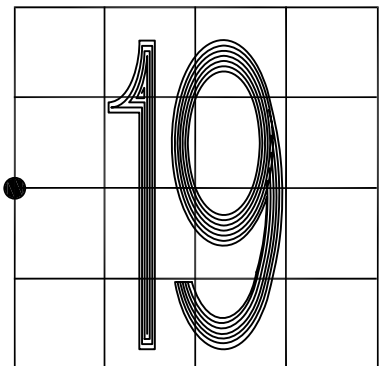
SECTION 19
WASHINGTON TOWNSHIP



SECTION 24
CENTER TOWNSHIP

SECTION 19
WASHINGTON TOWNSHIP

MONUMENT: 3/4" IRON ROD
CORNER OF: RECORD USE
PARTY: DPS/JL
DATE: 6-17-2008
COMMENTS: FOUND BENT 3/4" PIPE; REPLACED WITH IRON ROD



CORNER LOCATION IN THE SECTION

P1