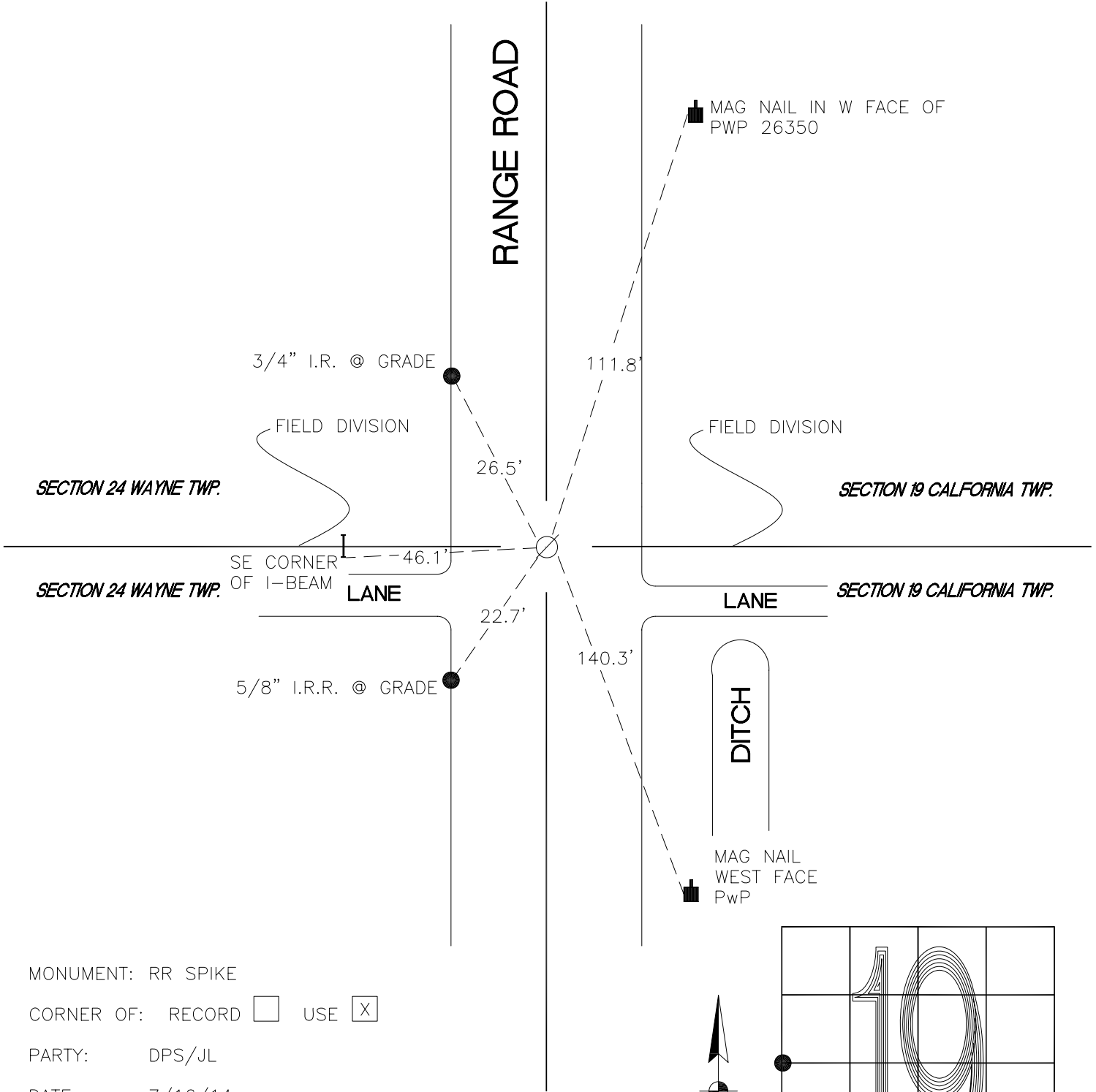


CALIFORNIA TOWNSHIP

T 32 N, R 2 W

P1



SECTION 24 WAYNE TWP.

SECTION 19 CALIFORNIA TWP.

SECTION 24 WAYNE TWP.

SECTION 19 CALIFORNIA TWP.

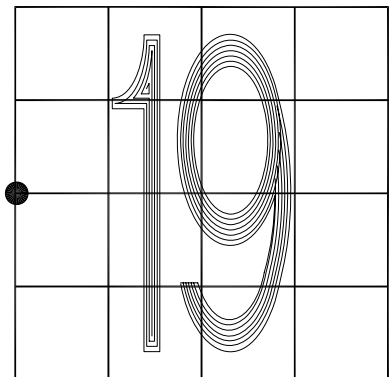
MONUMENT: RR SPIKE

CORNER OF: RECORD USE

PARTY: DPS/JL

DATE: 7/16/14

COMMENTS: 1' E OF C/L OF RANGE ROAD.
FOUND BY VHJ/COD IN 2004.



P1

CORNER LOCATION IN THE SECTION